



Holmes Products (Europe) Ltd.
1 Francis Grove
London SW19 4DT
England

Fax: +44 (0)20 8947 8272
Email: enquiriesEurope@jardencs.com
UK - Filter Sales Order Line - 0870 759 9000
Website address: www.bionaire.com/europe
UK - Free phone Customer Service Helpline – 0800 052 3615

Holmes Products France
1015, Rue du Maréchal Juin
Z.I Vaux - Le - Pénil
77000 Melun – France
Phone: +33 1 64 10 45 80
Fax: +33 1 64 10 02 32

FRANCE - SERVICE CONSOMMATEURS

N° Indigo 0 825 85 85 82

Belgium: +32 38 70 86 86
Czech Republic: +420 48 513 03 03
Denmark: +45 73 33 13 52
Finland: +358 207 599 860
Germany: +49 89 5480195-0
Hungary: +36 40 630-070
Latvia: +371 7514081
Lebanon: +961 1 81 49 46
Lithuania: +370 52 772388
Netherlands: +31 79 36 37 310
Norway: +47 55 11 81 70
Poland: +48 23 662 68 01
Slovakia: +421 41 723 47 09
Spain: +34 902 051 502
Sweden: +46 300567370
Turkey: +90 212 210 99 14
United Arab Emirates: +971 42 97 95 52



© 2011 Sunbeam Products, Inc. doing business as Jarden Consumer Solutions. All rights reserved.
 Distributed by Holmes Products (Europe) Ltd., 1 Francis Grove, London SW19 4DT, United Kingdom. Printed in PRC

© 2011 Sunbeam Products, Inc. faisant affaires sous le nom de Jarden Consumer Solutions. Tous droits réservés.
 Distribué par Holmes Products (Europe) Ltd., 1 Francis Grove, London SW19 4DT, United Kingdom.
 Imprimé en RPC

P.N. 149110
 SPR 021811-038



**DIGITAL
 DEHUMIDIFIER**

MODEL# BD20

English	2
Français/French	6
Svenska/Swedish	10
Norsk/Norwegian	14
Dansk/Danish	18
Suomi/Finnish	22

**INSTRUCTION MANUAL
 NOTICE D'UTILISATION
 KÄYTTÖOPAS**

**BRUKERHÅNDBOK
 BRUGERVEJLEDNING
 BRUKSANVISNING**

MODEL# BD20

Fig. 1

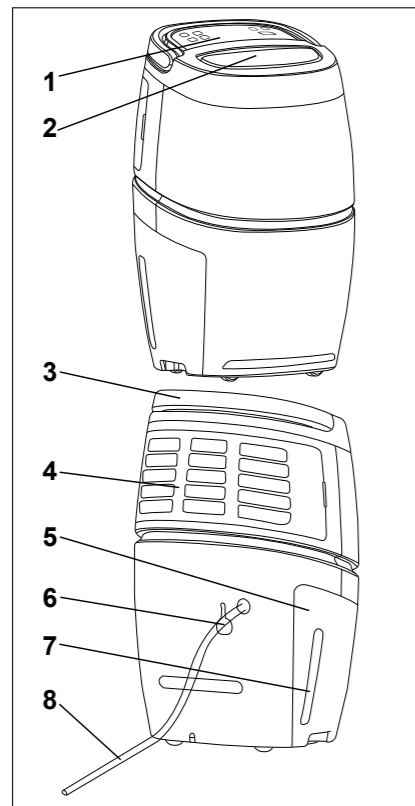


Fig. 2

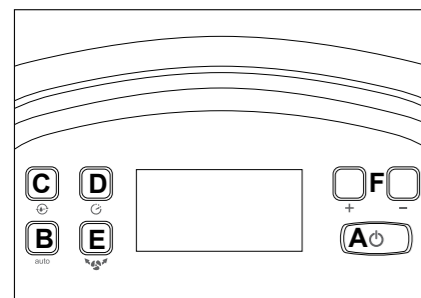
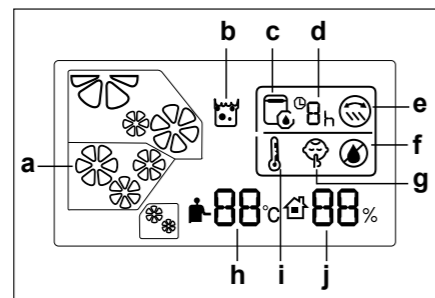


Fig. 3



ENGLISH

PLEASE READ AND SAVE THESE IMPORTANT INSTRUCTIONS

NOTE: Before reading these instructions, please review the corresponding illustrations.

Description of Appliance (See Figure 1)

1. Control Panel
2. Air Oscillator
3. Handle
4. Air Intake Slats
5. Water Reservoir
6. Drain Plug
7. Water Level Pane
8. Drainage Hose

Control Panel (See Figure 2)

- A. On/Off Button
- B. Auto Button
- C. Continuous Operation Button
- D. Timer Button
- E. Oscillation Button
- F. Humidity Control Buttons

LCD Display (See Figure 3)

- a. Speed
- b. Water Reservoir Full
- c. Continuous Dehumidification
- d. Timer
- e. Oscillation
- f. Automatic Defrost
- g. Whisper Quiet Automatic Dehumidification
- h. Ambient Temperature
- i. Automatic Dehumidification
- j. Ambient Humidity Level

SAFETY PRECAUTIONS

When using electrical appliances, basic safety precautions should always be followed to reduce the risk of fire, electric shock, and injury to persons, including the following:

1. Read all instructions before using the appliance.
2. To avoid fire or shock hazard, plug the appliance directly into an electrical outlet and fully insert the plug.
3. Keep the cord out of heavy traffic areas. To avoid fire hazard, NEVER put the cord under rugs, or near radiators, stoves, or heaters.
4. DO NOT place dehumidifier near heat sources such as stoves, radiators, and heaters. Do locate your dehumidifier on an inside wall near an electrical outlet. The

dehumidifier should be at least 10cm/4" away from the wall for best results.

5. NEVER drop or insert any object into any openings.
6. DO NOT operate any appliance with a damaged cord or plug, after the appliance malfunctions, or if it has been dropped or damaged in any manner. Return appliance to manufacturer for examination, electrical or mechanical adjustment, or repair.
7. Use appliance only for intended household use as described in this manual. Any other use not recommended by the manufacturer may cause fire, electric shock, or injury to persons. The use of attachments not recommended or sold by Holmes Products (Europe) Ltd. may cause hazards.
8. DO NOT use outdoors.
9. Always place dehumidifier on a firm, flat, level surface. A waterproof mat or pad is recommended for under the dehumidifier. NEVER place it on a surface that may become damaged by exposure to water and moisture (i.e. finished floor).
10. Dehumidifier should be unplugged when not in use.
11. NEVER tilt, move, or attempt to empty unit while it is operating. Shut off and unplug before removing the water tank and moving the unit. DO NOT attempt to remove the water tank within 15 minutes after the dehumidifier is turned off and unplugged. Serious injury may result.
12. This dehumidifier requires regular maintenance to operate appropriately. Refer to cleaning and maintenance procedures.
13. NEVER use detergents, petrol, glass cleaner, furniture polish, paint thinner, or other household solvents to clean any part of the dehumidifier.
14. DO NOT attempt to repair or adjust any electrical or mechanical functions on this unit. The inside of the unit contains no user serviceable parts. All servicing should be performed by qualified personnel only.
15. If the supply cord is damaged, it must be replaced by the manufacturer or its service agent or a similarly qualified person.
16. This appliance is not intended for use by persons (including children) with reduced physical, sensory or mental capabilities, or lack of experience and knowledge, unless they have been given supervision or instruction concerning use of the appliance by a person responsible for their safety. Children should be supervised to ensure that they do not play with the appliance.

17. **CAUTION:** In order to avoid a hazard due to inadvertent resetting of the thermal cutout, this appliance must not be supplied through an external switching device, such as a timer, or connected to a circuit that is regularly switched on and off by the utility.

PLEASE SAVE THESE INSTRUCTIONS

Please note that this is an electrical appliance, and requires attention when in use.

HOW YOUR DEHUMIDIFIER WORKS

Your Bionaire™ dehumidifier draws moisture laden air through the intake grill on the top of the appliance. Humid air passes through refrigerated coils where the moisture is removed and collected in the water reservoir.

For optimum performance, it is not recommended to use this appliance in environments where the temperature exceeds 37° C or is lower than 5° C.

The unit should only be used indoors in such areas as a living room or bedroom. Never use it outdoors. Make sure doors and windows are closed before using the appliance.

PRE-OPERATING INSTRUCTIONS

1. Select a location for your dehumidifier, on a flat/level surface, about 10 cm away from the wall.
2. Place unit on a stable and flat floor surface. If the floor surface is not even, there is a risk the unit might be unstable or topple over. Also, it may result in excessive vibration and noise.
3. Plug the power cord into electrical outlet.

OPERATING INSTRUCTIONS

Automatic Dehumidifying

1. Plug unit into an appropriate electrical outlet. The unit will beep 3 times. If open, the air oscillator will return to its closed position.
2. Press the on/off button to start the unit. The air oscillator will open to its maximum position and the unit will start the automatic dehumidification function.
3. The auto button enables you to select between automatic dehumidification and automatic whisper quiet dehumidification.
4. Press the auto button once to switch the unit between automatic dehumidification and whisper quiet dehumidification.
5. In automatic dehumidification mode, the unit will monitor the relative humidity of the environment and adjust its functionality accordingly, cycling on and off to maintain your desired comfort level.

6. In whisper quiet mode, the unit will operate as in the automatic dehumidification mode but at low speed. The quiet icon will be highlighted in the LCD display.
7. The default humidity level is set at 60% relative humidity (RH). Press the humidity control buttons up and down to adjust the humidity level as desired. Please refer to the humidity control instructions below for additional operating instructions.
8. To turn the unit off, press the On/Off button again. The air oscillator will close and the unit will stop working.

Continuous Dehumidifying

To set the unit to operate continuously, turn the unit on and then press the continuous operation button. The unit will operate in high speed, at 60% RH. When you activate this mode, the continuous icon will be shown in the LCD display.

NOTE: If you adjust the humidity control buttons during the continuous operation, the unit will resume the automatic dehumidification mode.

NOTE: If continuous drain function is not in use and the water reservoir is not manually emptied, the unit will automatically shut off when the water reservoir becomes full.

Using The Timer

Once the unit is powered on and an operating mode is selected, press the timer button continuously, choosing from 1 to 8 hours as desired. The timer icon will be highlighted on the LCD display and show the number of hours remaining until the unit shuts off.

Oscillating Function

Press the oscillation button to set the air oscillator to oscillate automatically between 45 and 90 degrees. Press again to select a stationary position for the air oscillator at the desired angle between 45 and 90 degrees.

Humidity Control

When the unit starts, the humidity level of the environment will be shown on the LCD display.

1. For automatic or whisper quiet modes, press the humidity control buttons to select the desired humidity level. The control allows you to adjust level in 5% intervals from 40% to 80%.
2. If the unit humidity level sensor detects humidity levels in the environment that are lower than the selected humidity level, the compressor will shut off and the fan will work on low speed. The humidity level of the environment must be higher than the humidity level selected in order for the unit to start operating again.

Automatic Defrosting

If the room temperature drops down to 16° C or lower, the unit's temperature sensor will set the compressor to dehumidify for 25 minutes and then shut off automatically. The fan will keep running for 7 minutes to defrost in a cycle.

NOTE: When the defrost icon is shown on the LCD display, the compressor will shut off and the fan will run at high speed.

Water Full Protection & Auto-Shutoff

When the water reservoir is full, the unit will sound an alarm beeping 10 times (for about 5 seconds). The water reservoir full icon will be displayed on the screen and the unit will shut off automatically. This indicates that it is time to empty the water reservoir before using the unit again. Once the empty water reservoir is placed back into the unit, it will take up to 3 minutes for the dehumidifier compressor to work again. This is a protection feature. If you wish to restart the unit without waiting, unplug it from the electrical outlet and plug it in again.

Water Drip Protection

When the water reservoir is removed for emptying, this device will keep the condensed water that continues to drip. Once the water reservoir is placed back in the unit, it will release this water into the reservoir.

Continuous Drainage

For added user convenience, this dehumidifier includes a hose that can be attached to it to operate with continuous drainage. To use it, simply remove the drain plug located in the back of the unit and connect the PVC hose that comes with the unit. Find a suitable location for the unit where the open end of the hose can drain the outgoing water into an appropriate receptacle or outside of your home, far enough away from the foundation to ensure proper drainage. The unit will now direct water from the bypass port and through the hose, rather than into the water reservoir.

NOTE: Please make sure to place the open end of the hose flat on the ground ensuring it is not entangled.

CAUTION: The drain hose must be below the drain plug in order for the unit to drain properly.

NOTE: To help prevent leakage, you should use a marker to denote the location where the hose meets the housing on the rear of the unit. Periodically check to make sure this indicator has not moved away from the housing to ensure that your hose will not leak. Leakage inside the unit will fall into the water reservoir. If this

happens you can empty the water reservoir by following the instructions above in the "Emptying the Water Reservoir" section.

CLEANING AND MAINTENANCE

1. Turn the unit off and unplug it from the electrical outlet.
2. Carefully remove water reservoir to empty it. Rinse the reservoir with warm water.
3. Use a soft clean cloth to wipe the unit. Do not use gasoline, paint thinner or other cleaning products to clean the unit.
4. To clean the mesh filter, carefully remove the filter and clean it with a vacuum cleaner or rinse with cool water. Place it in a well-ventilated location and allow to dry before replacing filter into unit.

NOTE: Do not expose unit to direct sunlight.

STORAGE INSTRUCTIONS

If you will not be using your dehumidifier for an extended period of time, please follow these instructions to properly store it:

1. Turn the dehumidifier off and unplug it from the electrical outlet.
2. Clean and dry the dehumidifier thoroughly as per the cleaning instructions above.
3. Make sure all parts are dry before storing. Do not store the appliance with any water in the reservoir.
4. Store upright in a cool, dry location.

TROUBLESHOOTING

Malfunctioning Of Compressor

Should the compressor start to malfunction during the operation, it will automatically shut off. Wait for 3 minutes and then restart the unit again. If you wish to restart the unit without waiting for 3 minutes, unplug it from the electrical outlet and plug it again.

Protection For Extremely Low Or High Temperatures

If the unit's sensor detects the room temperature is below 0° C or above 40° C, the dehumidifier will automatically shut off. The unit will signal with 3 long beep sounds followed by 2 short ones. To restart the unit it will be necessary to unplug it from the electrical outlet and plug it back in.

Failures Of Humidity & Temperature Sensor

If the sensor malfunctions, the unit will not operate and the letters "EO" will be displayed in the screen. You may restart the unit after troubleshooting.

Appliance Cycles On/Off

This is normal operation when using the automatic dehumidification setting. The humidistat within the appliance adjusts to maintain your desired comfort level. To run continuously, select the continuous mode (see operating instructions).

Warm Air Coming From Outlet Grill

This is normal operation, caused by heat exchange while the compressor is on.

GUARANTEE

Please keep your receipt as this will be required for any claims under this guarantee.

This appliance is guaranteed for 2 years after your purchase as described in this document.

During this guaranteed period, if in the unlikely event the appliance no longer functions due to a design or manufacturing fault, please take it back to the place of purchase, with your till receipt and a copy of this guarantee.

The rights and benefits under this guarantee are additional to your statutory rights, which are not affected by this guarantee. Only Holmes Products (Europe) Ltd. ("Holmes") has the right to change these terms.

Holmes undertakes within the guarantee period to repair or replace the appliance, or any part of appliance found to be not working properly free of charge provided that:

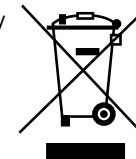
- you promptly notify the place of purchase or Holmes of the problem; and
- the appliance has not been altered in any way or subjected to damage, misuse, abuse, repair or alteration by a person other than a person authorised by Holmes.

Faults that occur through, improper use, damage, abuse, use with incorrect voltage, acts of nature, events beyond the control of Holmes, repair or alteration by a person other than a person authorised by Holmes or failure to follow instructions for use are not covered by this guarantee. Additionally, normal wear and tear, including, but not limited to, minor discoloration and scratches are not covered by this guarantee.

The rights under this guarantee shall only apply to the original purchaser and shall not extend to commercial or communal use.

If your appliance includes a country-specific guarantee or warranty insert please refer to the terms and conditions of such guarantee or warranty in place of this guarantee or contact your local authorized dealer for more information.

This marking indicates that this product should not be disposed with other household wastes and should be disposed separately throughout the EU. To prevent possible harm to the environment or human health from uncontrolled waste disposal due to the presence of hazardous substances within the product, recycle it responsibly to promote the sustainable reuse of materials and resources. To return your used device, please use the return and collection systems available to you or contact the retailer where the product was purchased. They can take this product for environmentally safe recycling.



Holmes Products (Europe) Limited
1 Francis Grove
London
SW19 4DT
UK

FRANÇAIS

VEUILLEZ LIRE ET CONSERVER CES CONSIGNES IMPORTANTES

REMARQUE : Avant de lire ces consignes, veuillez consulter les illustrations correspondantes.

Description de l'appareil (voir Figure 1)

1. Panneau de contrôle
2. Oscillateur d'air
3. Poignée
4. Becs de sécurité de l'entrée d'air
5. Réservoir d'eau
6. Bouchon de vidange
7. Volet de niveau d'eau
8. Tuyau de vidange

Panneau de contrôle (voir Figure 2)

- A. Bouton Marche/Arrêt
- B. Bouton Auto
- C. Bouton Fonctionnement continu
- D. Bouton Minuterie
- E. Bouton Oscillation
- F. Boutons Contrôle de l'humidité

Écran LCD (voir Figure 3)

- a. Vitesse
- b. Réservoir d'eau plein
- c. Déshumidification continue
- d. Minuterie
- e. Oscillation
- f. Dégivrage automatique
- g. Déshumidification automatique silencieuse
- h. Température ambiante
- i. Déshumidification automatique
- j. Niveau d'humidité ambiante

PRÉCAUTIONS DE SÉCURITÉ

Vous devez toujours prendre des précautions de sécurité de base quand vous utilisez des appareils électriques afin de réduire les risques d'incendie, de choc électrique ou d'accident corporel. En particulier, respectez les consignes suivantes :

1. Lisez toutes les instructions avant d'utiliser l'appareil.
2. Pour éviter les risques d'incendie ou de choc électrique, branchez directement l'appareil dans une prise de courant en veillant à insérer complètement la fiche.
3. Maintenez le cordon à l'écart des endroits où le passage est important. Pour éviter les risques d'incendie, NE PLACEZ JAMAIS le cordon sous une moquette ou un tapis, ni à proximité d'un radiateur, d'une cuisinière ou d'un brûleur.

4. NE PLACEZ PAS le déshumidificateur à proximité d'une source de chaleur, par exemple une cuisinière, un radiateur ou un brûleur. Ne placez pas le déshumidificateur contre un mur intérieur à proximité d'une prise de courant. Pour garantir des résultats optimaux, le déshumidificateur doit se trouver à au moins 10 cm/4 po du mur.
5. N'INSÉREZ PAS ou ne laissez pas de corps étranger pénétrer dans les ouvertures.
6. NE FAITES PAS marcher l'appareil si le cordon d'alimentation ou la fiche sont endommagés, ou après un mauvais fonctionnement de l'appareil, ou après qu'il soit tombé ou ait été endommagé de quelque manière que ce soit. Retournez l'appareil au fabricant agréé pour le faire examiner, faire ajuster son fonctionnement électrique ou mécanique, ou le faire réparer.
7. Utilisez l'appareil uniquement pour les usages domestiques prévus décrits dans ce manuel. Toute autre utilisation non recommandée par le fabricant peut entraîner un incendie, un choc électrique ou des blessures corporelles. L'utilisation d'accessoires non recommandés ou vendus par Holmes Products (Europe) Ltd. peut provoquer des risques.
8. N'UTILISEZ PAS cet appareil à l'extérieur.
9. Placez toujours le déshumidificateur sur une surface plane et dure. Il est recommandé de placer un tapis ou une surface étanche sous le déshumidificateur. NE PLACEZ JAMAIS le déshumidificateur sur une surface susceptible d'être endommagée par une exposition à l'eau et à l'humidité (par exemple, un parquet).
10. Débranchez toujours le déshumidificateur lorsque vous ne l'utilisez pas.
11. VEILLEZ à ne jamais incliner ou déplacer l'appareil, ni à essayer de vider le réservoir pendant son fonctionnement. Arrêtez-le et débranchez-le avant de le déplacer et de retirer l'eau du réservoir. ATTENDEZ 15 minutes après l'arrêt et le débranchement du déshumidificateur pour retirer le réservoir d'eau afin d'écartier tout risque de blessure grave.
12. Le bon fonctionnement de ce déshumidificateur exige un entretien régulier. Reportez-vous aux procédures de nettoyage et d'entretien.
13. N'UTILISEZ JAMAIS de détergents, d'essence, de nettoyant pour verre, d'encaustique pour meubles, de diluant pour peinture et d'autres solvants domestiques pour nettoyer quelque partie que ce soit du déshumidificateur.

14. N'ESSAYEZ PAS de réparer ou d'ajuster une fonction électrique ou mécanique de cet appareil. Cet appareil ne renferme aucune pièce réparable par l'utilisateur. Les réparations doivent être confiées à du personnel qualifié.
15. Si le cordon d'alimentation est endommagé, vous devez en confier le remplacement au fabricant, à un centre de service agréé ou à un technicien qualifié.
16. Cet appareil n'est pas conçu pour être utilisé par des personnes (y compris les enfants) dont les capacités physiques, sensorielles ou mentales sont réduites, ou qui manquent d'expérience et de connaissances, à moins qu'elles ne soient supervisées ou instruites par une personne responsable de leur sécurité. Les enfants doivent être supervisés pour assurer qu'ils ne jouent pas avec l'appareil.
17. **ATTENTION :** Pour écarter les risques liés à la réinitialisation accidentelle du coupe-circuit thermique, cet appareil ne doit pas être alimenté par l'intermédiaire d'un appareil de connexion externe (une minuterie, par exemple), ou connecté à un circuit régulièrement arrêté et mis en marche par les services publics.

VEUILLEZ CONSERVER CES CONSIGNES

N'oubliez pas qu'il s'agit d'un appareil électrique et que vous devez donc surveiller son fonctionnement.

FONCTIONNEMENT DU DÉSHUMIDIFICATEUR

Le déshumidificateur Bionaire™ aspire l'air chargé d'humidité par la grille d'entrée d'air située sur sa partie supérieure. Lorsque l'air humide traverse des bobines réfrigérées, l'humidité est extraite et envoyée dans le réservoir.

Pour garantir des performances optimales, il est déconseillé d'utiliser cet appareil lorsque la température ambiante est supérieure à 37° C ou inférieure à 5° C.

Cet appareil est conçu pour une utilisation en intérieur, dans des pièces comme le salon ou les chambres. Ne l'utilisez jamais à l'extérieur. Assurez-vous que les portes et les fenêtres sont fermées avant de l'utiliser.

CONSIGNES PRÉALABLES À LA MISE EN MARCHÉ

1. Sélectionnez l'emplacement du déshumidificateur, sur une surface plate, à 10 cm environ du mur.
2. Placez l'appareil sur une surface plane et dure du plancher. Si la surface présente

des inégalités, l'appareil risque de manquer de stabilité, voire de se renverser. Il peut également produire des vibrations et des bruits excessifs.

3. Branchez le cordon d'alimentation à une prise de courant.

CONSIGNES D'UTILISATION Déshumidification automatique

1. Branchez l'appareil dans une prise de courant appropriée. Il émet 3 bips. S'il est ouvert, l'oscillateur d'air revient en position fermée.
2. Appuyez sur le bouton Marche/Arrêt pour mettre l'appareil en marche. L'oscillateur d'air est ouvert en position maximale et l'appareil active la fonction de déshumidification automatique.
3. Le bouton Auto permet de sélectionner le mode voulu : déshumidification automatique et déshumidification automatique silencieuse.
4. Appuyez une fois sur le bouton Auto pour basculer entre le mode de déshumidification automatique et le mode de déshumidification automatique silencieuse.
5. En mode de déshumidification automatique, l'appareil surveille l'humidité relative ambiante et ajuste son réglage en conséquence, en s'arrêtant et en se remettant en marche pour garantir le niveau de confort voulu.
6. En mode de déshumidification automatique silencieuse, l'appareil assure les mêmes fonctions qu'en mode de déshumidification automatique, mais à faible vitesse. L'icône Silencieux est mise en surbrillance sur l'écran LCD.
7. Le niveau d'humidité par défaut est réglé à 60 % d'humidité relative (RH). Appuyez sur les boutons haut et bas de contrôle de l'humidité pour ajuster le niveau d'humidité à votre convenance. Veuillez vous reporter aux consignes de contrôle de l'humidité ci-dessous pour lire des consignes d'utilisation supplémentaires.
8. Pour arrêter l'appareil, appuyez une nouvelle fois sur le bouton Marche/Arrêt. L'oscillateur d'air se ferme et l'appareil cesse de fonctionner.

Déshumidification continue

Pour régler l'appareil sur un fonctionnement continu, mettez-le en marche puis appuyez sur le bouton Fonctionnement continu. L'appareil fonctionnera à vitesse élevée, à 60 % d'humidité relative (RH). Lorsque vous activez ce mode, l'icône Continu s'affiche sur l'écran LCD.

REMARQUE : Si vous réglez les boutons de contrôle de l'humidité en mode de

fonctionnement continu, l'appareil repasse en mode de déshumidification automatique.

REMARQUE : Si la fonction de vidange continue n'est pas activée et que le réservoir d'eau n'est pas vidé manuellement, l'unité s'arrête automatiquement lorsque le réservoir d'eau est plein.

Utilisation de la minuterie

Une fois que vous avez mis l'appareil en marche et sélectionné un mode de fonctionnement, appuyez sur le bouton Minuterie sans le relâcher afin de choisir la durée voulue (de 1 à 8 heures). L'icône Minuterie s'affiche sur l'écran LCD ; elle indique le nombre d'heures restantes avant l'arrêt de l'appareil.

Fonction d'oscillation

Appuyez sur le bouton Oscillation pour régler l'angle de l'oscillateur de l'air (oscillation automatique entre 45 et 90 degrés). Appuyez une nouvelle fois afin de sélectionner une position fixe pour l'oscillateur d'air (angle compris entre 45 et 90 degrés).

Contrôle de l'humidité

Lorsque l'appareil se met en marche, le niveau d'humidité ambiant est indiqué sur l'écran LCD.

1. Dans les modes automatique ou silencieux, appuyez sur le bouton Contrôle d'humidité pour sélectionner le niveau d'humidité voulu. Le contrôle permet d'ajuster le niveau de 40 % à 80 %, par incréments de 5 %.
2. Si le capteur de niveau d'humidité de l'appareil détecte des niveaux d'humidité ambiants inférieurs au niveau sélectionné, le compresseur s'arrête et le ventilateur fonctionne à faible vitesse. L'appareil ne se remettra à fonctionner que si le niveau d'humidité ambiant est supérieur au niveau d'humidité sélectionné.

Dégivrage automatique

Si la température ambiante tombe à ou au-dessous de 16° C, le capteur de température de l'appareil règle le compresseur pour effectuer la déshumidification pendant 25 minutes avant de s'arrêter automatiquement. Le ventilateur fonctionne pendant 7 minutes pour effectuer le dégivrage pendant un cycle.

REMARQUE : Lorsque l'icône Dégivrage est affichée sur l'écran LCD, le compresseur s'arrête et le ventilateur fonctionne à vitesse élevée.

Protection contre les risques de débordement du réservoir et arrêt automatique

Lorsque le réservoir d'eau est plein, l'appareil émet une alarme de 10 bips (soit environ 5 secondes). L'icône Réservoir d'eau plein est affichée à l'écran et l'appareil s'arrête

automatiquement. Cela indique qu'il est temps de vider le réservoir d'eau avant de réutiliser l'appareil. Une fois que le réservoir d'eau vide est remis en place dans l'appareil, il faut compter jusqu'à 3 minutes pour que le compresseur du déshumidificateur se remette à fonctionner. Il s'agit d'une fonction de protection. Si vous souhaitez redémarrer l'appareil sans attendre, débranchez-le de la prise de courant et rebranchez-le.

Protection contre les fuites d'eau

Lorsque vous retirez le réservoir d'eau pour le vider, ce dispositif recueille l'eau condensée qui continue à couler. Une fois que le réservoir d'eau est remis en place dans l'appareil, le dispositif de protection y déverse l'eau condensée.

Vidange continue

Pour accroître la facilité d'emploi, ce déshumidificateur est accompagné d'un tuyau que vous pouvez mettre en place avant de l'utiliser en mode de vidange continue. Il suffit de retirer le bouchon de vidange qui se trouve sur la face arrière de l'appareil et de connecter le tuyau en PVC livré avec l'appareil. Installez l'appareil à un emplacement adapté : l'extrémité ouverte du tuyau peut vidanger l'eau sortante dans un récipient approprié ou à l'extérieur de votre domicile, à une distance adéquate des fondations, afin d'assurer une vidange correcte. L'appareil va maintenant acheminer l'eau à partir du port de dérivation dans le tuyau, et non plus vers le réservoir d'eau.

REMARQUE : Veuillez à placer l'extrémité ouverte du tuyau à plat sur le sol pour éviter qu'il ne s'emmêle.

ATTENTION : Le tuyau de vidange doit se trouver sous le bouchon de vidange pour assurer la vidange correcte de l'appareil.

REMARQUE : Pour éviter tout risque de fuite, vous devriez utiliser un marqueur afin d'indiquer le point de connexion entre le tuyau et le boîtier à l'arrière de l'appareil. Veuillez à vérifier régulièrement que cet indicateur est toujours bien inséré dans le boîtier pour éviter tout risque de fuite. Les fuites qui interviennent dans l'appareil tombent dans le réservoir d'eau. Dans ce cas, vous pouvez vider le réservoir d'eau en suivant les consignes indiquées dans la section « Vidage du réservoir d'eau » (voir plus haut).

NETTOYAGE ET ENTRETIEN

1. Arrêtez l'appareil et débranchez-le de la prise de courant.
2. Retirez le réservoir d'eau avec le plus grand soin pour le vider. Rincez le réservoir à l'eau chaude.

3. Essayez l'appareil avec un chiffon propre et doux. N'utilisez pas d'essence, de diluant pour peinture ou d'autres produits de nettoyage pour nettoyer l'unité.
4. Pour nettoyer le filtre, retirez-le avec le plus grand soin et nettoyez-le avec un aspirateur ou rincez-le à l'eau froide. Mettez le filtre à un endroit bien aéré et laissez sécher avant de le remettre en place dans l'appareil.

REMARQUE : Veillez à ne pas exposer l'appareil au rayonnement direct du soleil.

CONSIGNES DE STOCKAGE

Si vous n'allez pas utiliser le déshumidificateur pendant une période prolongée, veuillez à suivre ces consignes de rangement :

1. Arrêtez le déshumidificateur et débranchez-le de la prise de courant.
2. Nettoyez le déshumidificateur et séchez-le en suivant les consignes de nettoyage ci-dessus.
3. Assurez-vous que toutes les parties du déshumidificateur sont sèches avant de le ranger. Veillez à bien vider l'eau du réservoir avant de ranger le déshumidificateur.
4. Rangez à la verticale dans un lieu frais et sec.

DÉPANNAGE

Mauvais fonctionnement du compresseur

Si le compresseur ne fonctionne pas correctement lorsque l'appareil est en marche, il s'arrête automatiquement. Attendez 3 minutes avant de remettre l'appareil en marche. Si vous souhaitez redémarrer l'appareil sans attendre 3 minutes, débranchez-le de la prise de courant et rebranchez-le.

Protection contre les températures extrêmes

Si le capteur de l'appareil détecte que la température ambiante est inférieure à 0° C ou supérieure à 40° C, le déshumidificateur s'arrête automatiquement. L'appareil émet trois bips longs, suivis de 2 courts. Pour remettre l'appareil en marche, vous devez le débrancher de la prise de courant et le rebrancher.

Défaillances du capteur d'humidité et de température

En cas de défaillance du capteur, l'appareil ne fonctionne pas et les lettres « EO » s'affichent sur l'écran. Vous pouvez remettre l'appareil en marche après le dépannage.

Marche/Arrêt du cycle de l'appareil

Il s'agit du fonctionnement normal en mode de déshumidification automatique. L'humidostat

de l'appareil s'ajuste pour assurer le niveau de confort voulu. Pour utiliser le déshumidificateur en mode continu, sélectionnez ce mode (voir les consignes d'utilisation).

Air chaud venant de la grille de sortie

Ce phénomène est normal. Il est dû à l'échange de chaleur pendant le fonctionnement du compresseur.

GARANTIE

Veillez conserver votre ticket de caisse, il vous sera demandé lors de toute réclamation sous garantie.

Cet appareil est garanti 2 ans à partir de la date d'achat, comme indiqué dans le présent document.

Dans le cas peu probable d'une panne résultant d'un défaut de conception ou de fabrication au cours de la période de garantie, veuillez rapporter l'appareil au magasin où vous l'avez acheté avec votre ticket de caisse et une copie de cette garantie.

Vos droits statutaires ne sont aucunement affectés par cette garantie. Seul Holmes Products (Europe) Ltd. (« Holmes ») peut modifier ces dispositions.

Holmes s'engage à réparer ou remplacer gratuitement, pendant la période de garantie, toute pièce de l'appareil qui se révèle défectueuse sous réserve que :

- vous avertissiez rapidement le magasin ou Holmes du problème
- et que l'appareil n'ait pas été altéré de quelque manière que ce soit ou endommagé, utilisé incorrectement ou abusivement, ou bien réparé ou altéré par une personne autre qu'une personne agréée par Holmes Products Europe.

Cette garantie ne couvre pas les défauts liés à une utilisation incorrecte, un dommage, une utilisation abusive, l'emploi d'une tension incorrecte, les catastrophes naturelles, les événements hors du contrôle de Holmes, une réparation ou une altération par une personne autre qu'une personne agréée par Holmes ou le non-respect des instructions d'utilisation. De plus, cette garantie ne couvre pas non plus l'usure normale, y compris, mais sans limitation, les petites décolorations et éraflures.

Cette garantie s'applique uniquement à l'acheteur d'origine et elle n'étend aucun droit à toute personne acquérant l'appareil pour un usage commercial ou communal.

Si votre appareil est accompagné d'une garantie locale ou d'une carte de garantie, veuillez

en consulter les dispositions et conditions en vigueur, ou vous adresser à votre revendeur local pour en savoir plus.

Cette marque indique que ce produit ne devrait pas être jeté avec les ordures ménagères, mais séparément. Cela s'applique partout dans l'UE. Afin de prévenir tout dommage potentiel à la santé humaine ou à l'environnement par l'évacuation non contrôlée des déchets en raison de la présence de substances dangereuses dans le produit, recycler l'appareil de manière responsable afin de promouvoir la réutilisation durable des matériaux et des ressources. Pour retourner votre produit usagé, veuillez utiliser les systèmes de retour et de collecte offerts à l'endroit où vous avez acheté le produit. Ils sont en mesure de reprendre votre produit afin de le recycler sans danger pour l'environnement.



Holmes Products (Europe) Limited
1 Francis Grove
London
SW19 4DT
UK

SVENSKA

LÄS OCH SPARA DESSA VIKTIGA INSTRUKTIONER

OBS! Innan du läser dessa anvisningar bör du titta på bilderna som hör till anvisningarna.

Beskrivning av apparaten (Se figur 1)

1. Kontrollpanel
2. Luftoscillator
3. Handtag
4. Luftintagsgaller
5. Vattentank
6. Dräneringsplugg
7. Vattennivåpanel
8. Dräneringslang

Kontrollpanel (se figur 2)

- A. Knapp På/Av
- B. Autoknapp
- C. Knapp för kontinuerlig drift
- D. Knapp för klocka
- E. Oscillationsknapp
- F. Inställningsknappar för luftfuktighet

LCD-display (se figur 3)

- a. Hastighet
- b. Full vattentank
- c. Kontinuerlig avfuktning
- d. Klocka
- e. Oscillering/svängning
- f. Automatisk avfrostning
- g. Tyst automatisk avfuktning
- h. Omgivningstemperatur
- i. Automatisk avfuktning
- j. Luftfuktighetsnivå i omgivningen

FÖRSIKTIGHETSÅTGÄRDER

Följ alltid grundläggande försiktighetsåtgärder, inklusive de som anges nedan, när du använder elektriska apparater, för att minska risken för brand, elektriska stötar och personsador:

1. Läs alla anvisningar innan du använder apparaten.
2. Undvik brand eller elektriska stötar genom att ansluta apparaten direkt till ett eluttag och sticka in kontakten fullständigt.
3. Håll sladden borta från hårt trafikerade områden. Undvik brandfara genom att ALDRIG stoppa in sladden under mattor eller placera den i närheten av element, spisar och andra värmekällor.
4. PLACERA INTE luftavfuktaren nära värmekällor, till exempel spisar, element och andra värmekällor. Placera luftavfuktaren vid

en inomhusvägg nära ett eluttag. Det är bäst om luftavfuktaren placeras minst 10 cm från väggen.

5. Stick ALDRIG in några föremål i öppningarna.
6. Använd INTE apparaten om elsladden eller kontakten är skadad, efter apparaten slutar att fungera på rätt sätt eller om den tappats eller skadats på något sätt. Returnera apparaten till tillverkaren för kontroll, justering eller reparation av elektriska eller mekaniska delar.
7. Använd endast apparaten för avsett ändamål i hemmet och enligt beskrivningen i denna manual. All annan användning som inte rekommenderas av tillverkaren kan orsaka brand, elektriska stötar eller personsador. Användning av tillbehör som inte rekommenderas eller säljs av Holmes Products (Europe) Ltd. kan medföra olycksrisker.
8. Använd INTE avfuktaren utomhus.
9. Placera alltid luftavfuktaren på ett stadigt, plant och jämnt underlag. Vi rekommenderar att en vattentät matta eller underlag används under luftavfuktaren. Placera ALDRIG enheten på underlag som kan skadas av vatten eller fukt (t.ex. trägolv).
10. Luftavfuktaren ska kopplas bort från elnätet när den inte används.
11. Luta, flytta eller töm ALDRIG enheten medan den är i drift. Stäng av enheten och koppla bort den från eluttaget innan du lyfter av vattentanken och flyttar enheten. Försök INTE lyfta av vattentanken förrän 15 minuter efter det att du har stängt av luftavfuktaren och kopplat bort den från eluttaget. Allvarliga skador kan inträffa.
12. Luftavfuktaren kräver regelbundet underhåll för att fungera på rätt sätt. Se rengörings- och underhållsanvisningarna.
13. Använd ALDRIG rengöringsmedel, bensin, fönsterputsmedel, polermedel för möbler, färglösningsmedel eller andra rengöringsmedel för att rengöra luftavfuktarens delar.
14. Försök INTE reparera eller justera apparatens elektriska eller mekaniska funktioner. Apparaten innehåller inga delar som användaren själv kan utföra underhållsarbete på. All service måste utföras av kvalificerad personal.
15. Om nätsladden eller kontakten skadats måste den bytas ut av tillverkaren eller en auktoriserad reparatör eller en person med liknande kompetens.
16. Apparaten är inte avsedd att användas av personer (inklusive barn) med begränsad

fysisk, sensorisk eller mental förmåga eller personer som saknar erfarenhet eller kunskaper, såvida de inte övervakas eller har fått anvisningar om hur apparaten ska användas av en person som ansvarar för deras säkerhet. Barn måste övervakas så att de inte leker med apparaten.

17. **WARNING:** För att undvika fara till följd av att värmesäkringens oavsiktligt återställs får apparaten inte anslutas via en extern kopplingsanordning, som till exempel en timer, eller till en krets som regelbundet stänger av och slår på strömmen.

SPARA ANVISNINGARNA

Observera att detta är en elektrisk apparat som kräver uppmärksamhet när du använder den.

SÅ HÄR FUNGERAR LUFTAVFUKTAREN

Din Bionaire™ luftavfuktare drar in fuktig luft genom luftintagsgallret ovanpå apparaten. Fuktig luft passerar genom kylslingorna där fukten avlägsnas och samlas i vattentanken.

För bästa prestanda, rekommenderar vi att luftavfuktaren inte används på platser där temperaturen överstiger 37° C eller är lägre än 5° C.

Enheten bör endast användas inomhus i till exempel ett vardagsrum eller sovrum. Använd aldrig luftavfuktaren utomhus. Se till att dörrar och fönster är stängda innan du använder apparaten.

ANVISNINGAR FÖRE ANVÄNDNING

1. Placera luftavfuktaren på en lämplig, plan yta cirka 10 cm från väggen.
2. Placera alltid luftavfuktaren på ett stadigt, plant och jämnt underlag. Om underlaget är ojämnt finns det risk för att enheten blir ostadig eller välter. Det kan även orsaka kraftiga vibrationer och ljud.
3. Anslut nätkontakten till ett lämpligt strömuttag.

BRUKSANVISNING

Automatisk avfuktning

1. Anslut luftavfuktaren till lämpligt eluttag. Enheten avger 3 ljudsignaler. Om den öppnas återvänder luftoscillatorn till sin stängda position.
2. Tryck på strömbrytaren för att starta enheten. Luftoscillatorn öppnas i maximalt läge och enheten startar den automatiska avfuktningen.
3. Med autoknappen kan du välja mellan automatisk avfuktning och automatisk tyst avfuktning.

- Tryck på autoknappen en gång för att växla mellan automatisk avfuktning och automatisk tyst avfuktning.
- I det automatiska avfuktningläget, avläser enheten den relativa luftfuktigheten i omgivningen och anpassar sig efter den genom att omväxlande stanna och starta för att nå den önskade luftfuktighetsnivån.
- I tyst läge fungerar enheten på samma sätt som i det automatiska avfuktningläget, men på låg hastighet. Ikonen Tyst lyser på LCD-displayen.
- Standardinställningen på luftfuktighetsnivån är 60 % relativ luftfuktighet. Tryck uppåt eller neråt på inställningsknapparna för luftfuktighet för att justera fuktighetsnivån. Se anvisningarna för luftfuktighetskontroll nedan för ytterligare användningsinstruktioner.
- Stäng av enheten genom att trycka på knappen På/Av igen. Luftoscillatorn stannar och enheten slutar att fungera.

Kontinuerlig luftavfuktning

Ställ in enheten på kontinuerlig drift genom att starta enheten och trycka på knappen för kontinuerlig drift. Enheten kör på hög hastighet, på 60 % relativ luftfuktighet. När du använder detta läge lyser ikonen för kontinuerlig drift på LCD-displayen.

OBS! Om du justerar luftfuktighetsinställningen under kontinuerlig drift, återvänder enheten till det automatiska avfuktningläget.

OBS! Om funktionen för kontinuerlig tömning inte används och vattentanken inte töms manuellt, stannar enheten automatiskt när vattentanken är full.

Använda klockan

När du har startat enheten och valt ett driftsläge, håller du knappen Klocka nedtryckt tills du når önskat antal timmar mellan 1 och 8 timmar. Klockikonen lyser på LCD-displayen och visar det antal timmar som återstår tills enheten stängs av.

Oscilleringsfunktionen

Tryck på oscilleringsknappen för att ställa in oscillatorn så att den svänger automatiskt mellan 45 och 90 grader. Tryck åter på oscilleringsknappen för att nå ett fast läge i önskad vinkel mellan 45 och 90 grader.

Justering av luftfuktigheten

När enheten startar, visas luftfuktighetsnivån i omgivningen på LCD-displayen.

- I automatiskt och tyst läge kan du välja fuktighetsnivå genom att trycka på inställningsknapparna för luftfuktighet. Med hjälp av knapparna kan du justera nivån i femprocentsintervall från 40 % till 80 %.

- Om enhetens luftfuktighetssensor avläser luftfuktighetsnivåer i omgivningen som är lägre än den inställda luftfuktighetsnivån, stängs kompressorn av och fläkten fortsätter på låg hastighet. Luftfuktigheten i omgivningen måste vara högre än den luftfuktighetsnivå som valts för att enheten ska fungera igen.

Automatisk avfrostning

Om rumstemperaturen sjunker till 16° C eller lägre, ställer enhetens temperatursensor in kompressorn så att den avfrostas i 25 minuter. Därefter stängs den av automatiskt. Fläkten fortsätter att gå i 7 minuter för att avfrostas under en cykel.

OBS! När ikonen för avfrostning visas på LCD-displayen, stängs kompressorn av och fläkten fortsätter på hög hastighet.

ÖVERFYLLNINGSSKYDD OCH AUTOMATISK AVSTÄNGNING

När vattentanken är full avger enhetens larm 10 signaler (i cirka 5 sekunder). Indikatorn för full tank visas på skärmen och enheten stängs av automatiskt. Det indikerar att det är dags att tömma vattentanken innan enheten kan användas igen. När den tomma vattentanken åter placeras på enheten, tar det upp till 3 minuter innan luftavfuktarens kompressor fungerar igen. Detta är en skyddsfunktion. Om du vill starta enheten utan att vänta, drar du ur kontakten från strömuttaget och koppla in den igen.

Vattendroppskydd

När vattentanken avlägsnas för att tömmas, behåller enheten det kondenserade vatten som fortsätter att droppa. När vattentanken sätts tillbaka på enheten igen, släpps vattnet in i tanken.

Kontinuerlig tömning

Luftavfuktaren inkluderar en slang som kan fästas vid apparaten för kontinuerlig tömning. Ta bort dräneringspluggen på enhetens baksida om du vill använda den och anslut PVC-slangen som medföljer enheten. Hitta en lämplig plats för enheten, där den öppna änden av slangen kan tömma ut vattnet i en lämplig behållare eller utanför huset, tillräckligt långt bort från husgrunden för att inte orsaka skador. Enheten avleder nu vatten ut genom slangen i stället för in i vattentanken.

OBS! Placera den öppna änden av slangen plant och utsträckt på marken och se till att den inte är snodd.

WARNING: Dräneringsslangen måste befinna sig lägre än dräneringspluggen för att enheten ska tömmas.

OBS! Förhindra läckage genom att använda en märkpenna för att märka var slangen möter höljet på baksidan av enheten. Kontrollera med jämna mellanrum att märket inte har rört sig bort från enheten så att slangen läcker. Läckage inne i enheten hamnar i vattentanken. Om det inträffar kan du tömma vattentanken genom att följa anvisningarna ovan i avsnittet "Tömma vattentanken".

RENGÖRING OCH UNDERHÅLL

- Stäng av enheten och koppla bort den från eluttaget.
- Ta försiktigt bort vattentanken och töm den. Skölj tanken med varmt vatten.
- Använd en mjuk ren trasa för att torka enheten. Använd inte bensin, förtunningsmedel eller andra rengöringsmedel för att rengöra enheten.
- Rengör filtret genom att försiktigt avlägsna det och rengöra det med en dammsugare eller skölja det i kallt vatten. Placera filtret på en välventilerad plats och låt det torka innan du sätter tillbaka det på enheten igen.

OBS! Enheten får inte utsättas för direkt solljus.

FÖRVARING

Om du inte kommer att använda luftavfuktaren under en längre tid, bör du följa dessa förvaringsanvisningar:

- Stäng av enheten och koppla bort den från eluttaget.
- Rengör och torka luftavfuktaren enligt rengöringsanvisningarna ovan.
- Se till att alla delar är torra före förvaringen. Förvara inte apparaten med vatten i tanken.
- Förvara luftavfuktaren upprätt på en sval och torr plats.

FELSÖKNING

Funktionsstörning på kompressorn

Om kompressorn slutar att fungera under drift, stängs den av automatiskt. Vänta i 3 minuter och starta sedan enheten igen. Om du vill starta enheten utan att vänta i 3 minuter, drar du ur kontakten från strömuttaget och kopplar fast den igen.

Skydd mot extremt låga eller höga temperaturer

Om enheten avläser att rumstemperaturen är lägre än 0° C eller överstiger 40° C, stängs den av automatiskt. Enheten avger 3 långa signaler följt av 2 korta signaler. Starta om enheten genom att dra ur kontakten från strömuttaget och koppla in den igen.

Luftfuktighets- och temperatursensorn fungerar inte

Om sensorn inte fungerar, kan enheten inte köra och bokstäverna "EO" (Engine Out - driftsstopp) visas på LCD-displayen. Du kan starta enheten igen efter felsökningen.

Apparaten växlar mellan På/Av

Det är normalt när enheten är inställd på automatisk avfuktning. Termostaten i enheten justeras för att hålla den avfuktningnivå du önskar. Välj kontinuerligt läge om du vill undvika växlingarna mellan På och Av (se bruksanvisningen).

Varmluft kommer från utsläppsgallret

Det är normalt under drift och orsakas av värmealstring från kompressorn.

GARANTI

Spara ditt kvitto. Du behöver det vid eventuell reklamation under garantitiden.

Den här produkten garanteras i 2 år efter inköpet enligt beskrivningen i det här dokumentet.

Om det osannolika skulle inträffa under garantiperioden, att apparaten slutar fungera på grund av konstruktions- eller tillverkningsfel, ska du ta den med till inköpsplatsen tillsammans med kvittot och en kopia av garantin.

Rättigheter och förmåner i den här garantin gäller utöver dina lagstiftade rättigheter, som inte påverkas av garantin. Endast Holmes Products (Europe) Ltd. ("Holmes") har rätt att ändra villkoren.

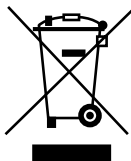
Holmes åtar sig att utan kostnad reparera eller byta ut apparaten eller en del av apparaten som inte fungerar ordentligt under garantiperioden, under förutsättning att:

- du omedelbart meddelar inköpsstället eller Holmes om problemet.
- apparaten inte har ändrats på något sätt eller har utsatts för skador, missbruk, felaktig användning, reparation eller modifieringar av en person som inte är auktoriserad av Holmes.

Garantin täcker inte fel som inträffar på grund av felaktig användning, skador, missbruk, användning med felaktigt spänning, naturfenomen, händelser som Holmes inte kan kontrollera, reparation eller ändringar av person som inte är auktoriserad av Holmes eller undlátande att följa bruksanvisningen. Slitage vid normal användning täcks inte heller av garantin, inklusive, men inte begränsat till, mindre missfärgningar och repor. Rättigheterna i den här garantin gäller endast den ursprungliga köparen och avser inte kommersiellt eller offentligt bruk.

Om din apparat innefattar en landsspecifik garanti eller garantibilaga, ska du läsa villkoren i den garantin i stället för den här garantin eller kontakta din lokala auktoriserade försäljare för mer information.

Denna symbol anger att produkten inte får kastas bland hushållssopor. Inom EU måste den omhändertas separat. För att skydda miljön och människors hälsa från okontrollerad bortskaffning av sopor som innehåller farliga ämnen skall produkten återvinnas. Var god lämna in apparaten på en insamlingsplats för elektriska apparater eller kontakta återförsäljaren. Denne kan omhändertata apparaten för säker återvinning.



Holmes Products (Europe) Limited
1 Francis Grove
London
SW19 4DT
UK

NORSK

LES OG TA VARE PÅ DISSE VIKTIGE INSTRUKSENE

MERK: Før du leser disse instruksjonene, bør du gjennomgå de tilhørende illustrasjonene.

Beskrivelse av apparatet (se figur 1)

1. Kontrollpanel
2. Luftoscillator
3. Håndtak
4. Luftinntakslameller
5. Vannreservoar
6. Tappeplugg
7. Vannstandpanel
8. Tømmeslange

Kontrollpanel (se figur 2)

- A. På/av-knapp
- B. Auto-knapp
- C. Kontinuerlig drift-knapp
- D. Timer-knapp
- E. Rotasjonsknapp
- F. Fuktighetskontrollknapper

LCD-display (se figur 3)

- a. Hastighet
- b. Vannreservoar fullt
- c. Kontinuerlig avfukting
- d. Timer
- e. Rotasjon
- f. Automatisk avriming
- g. Stille, automatisk avfukting
- h. Omgivelsestemperatur
- i. Automatisk avfukting
- j. Fuktighetsnivå i omgivelsene

SIKKERHETSTILTAK:

Ved bruk av elektriske apparater må grunnleggende sikkerhetsregler alltid følges for å redusere risikoen for brann, elektrisk støt og personskade, inkludert følgende:

1. Les alle instruks før bruk av apparatet.
2. For å unngå brann eller støt må enheten kobles direkte til en stikkontakt. Kontakten må settes helt inn.
3. Hold ledningen unna områder med mye trafikk. For å unngå brannfare må du ALDRI legge ledningen under tepper eller i nærheten av radiatorer, ovner eller varmeapparater.
4. IKKE plasser avfukteren i nærheten av varmekilder som ovner, radiatorer og panelovner. Plasser avfukteren på en innvendig vegg nær et strømuttak.

Luftavfukteren bør være minst 10 cm unna vegg for at du skal oppnå best resultat.

5. Du må ALDRI slippe eller sette et objekt inn i noen åpninger.
6. IKKE bruk et apparat med en skadet ledning eller støpsel, etter at apparatet har sviktet, eller om det er blitt sluppet i gulvet eller skadet på noen måte. Returner apparatet til produsent for undersøkelse, elektrisk eller mekanisk justering eller reparasjon.
7. Bruk apparatet kun til normal husholdningsbruk som beskrevet i denne håndboken. Enhver annen bruk anbefales ikke av produsenten, og kan forårsake brann, elektrisk støt eller personskade. Bruk av tilbehør som ikke er anbefalt eller solgt av Holmes Products (Europe) Ltd, kan medføre fare.
8. Må IKKE brukes utendørs.
9. Plasser alltid luftavfukteren på et fast, flatt og jevnt underlag. En vanntett matte eller pute anbefales plasser under luftavfukteren. Må ALDRI legges på en overflate som kan bli skadet ved eksponering for vann og fuktighet (dvs. polert gulv).
10. Avfukteren bør kobles fra når den ikke er i bruk.
11. Avfukteren må ALDRI vippes, flyttes eller tømmes mens den er i bruk. Slå av og trekk ut støpselet før du fjerner vannbeholderen og flytter av apparatet. IKKE forsøk å fjerne vannbeholderen innen 15 minutter etter at luftavfukteren er slått av og koblet fra. Alvorlig skade kan oppstå.
12. Avfukteren trenger regelmessig vedlikehold for å fungere riktig. Se fremgangsmåten for rengjøring og vedlikehold.
13. Bruk ALDRI vaskemidler, bensin, glassrens, møbelpolish, malingtynner eller andre løsemidler til husholdningsbruk for å rengjøre noen del av avfukteren.
14. IKKE forsøk å reparere eller justere noen elektriske eller mekaniske funksjoner på denne enheten. Innsiden av enheten inneholder ingen deler som du kan utføre service på. All service skal utføres av kvalifisert personell.
15. Hvis tilførselsledningen er skadet, må den skiftes av produsenten eller deres serviceverksted eller en tilsvarende kvalifisert person.
16. Dette apparatet er ikke beregnet for bruk av personer (inkludert barn) med reduserte fysiske, sensoriske eller mentale evner, eller manglende erfaring og kunnskap, med mindre de får tilsyn eller instruksjoner om bruk av apparatet av en person som er ansvarlig for deres sikkerhet. Barn bør overvåkes for å sikre at de ikke leker med apparatet.

17. **FORSIKTIG:** For å unngå farlige situasjoner som følge av utilsiktet tilbakestilling av termosikringen, må ikke dette apparatet brukes via en ekstern vekselenhet, for eksempel et tidsur, eller koblet til en krets som regelmessig slås av og på av innretningen.

TA VARE PÅ DISSE INSTRUKSENE

Vær oppmerksom på at dette er et elektrisk apparat, og krever oppmerksomhet når den er i bruk.

SLIK VIRKER AVFUKTEREN

Bionaire™-avfukteren trekker fuktig luft gjennom inntaksgripen på toppen av apparatet. Fuktig luft passerer gjennom nedkjølte spoler der fuktigheten blir fjernet og samlet i vannreservoaret.

For optimal ytelse er det ikke anbefalt å bruke dette apparatet i miljøer hvor temperaturen overstiger 37°C eller er lavere enn 5°C. Apparatet skal kun brukes innendørs på steder som stuen eller soverommet. Bruk det aldri utendørs. Kontroller at dører og vinduer er lukket før du bruker apparatet.

FØR DU BRUKER APPARATET

1. Plasser avfukteren på en flat/jevn overflate ca 10 cm fra vegg.
2. Plasser apparatet på et stabilt og flatt underlag. Hvis underlaget ikke er jevnt, er det en risiko for at apparatet kan bli ustabil eller velte. Dessuten kan det føre til kraftige vibrasjoner og støy.
3. Sett strømledningen inn i stikkkontakten.

BRUKSANVISNING

Automatisk avfukting

1. Koble apparatet til en egnet stikkontakt. Apparatet vil pipe tre ganger. Hvis luftoscillatoren er åpen, vil den gå tilbake til lukket stilling.
2. Trykk på av/på knappen for å starte apparatet. Luftoscillatoren åpnes til maksimal posisjon, og apparatet vil starte den automatiske avfuktingsfunksjonen.
3. Med autoknappen kan du velge mellom automatisk avfukting og automatisk stillegående avfukting.
4. Trykk på autoknappen én gang for å veksle mellom automatisk avfukting og automatisk stillegående avfukting.
5. I automatisk avfuktingsmodus vil enheten overvåke den relative luftfuktigheten i miljøet og justere funksjonaliteten tilsvarende, og veksle mellom på og av for å opprettholde ønsket komfortnivå.

- I stille modus vil enheten fungere som i automatisk avfukting modus, men på lav hastighet. Stillesymbolet vil bli uthevet i LCD-displayet.
- Standardinnstillingen for luftfuktighet er satt til 60 % relativ luftfuktighet (RH). Trykk fuktighetskontrollknappene opp og ned for å justere fuktighetsnivået som ønsket. Se fuktighetskontrollinstruksene nedenfor for ytterligere brukerveiledning.
- Trykk på av/på-knappen igjen for å slå av apparatet. Luftoscillatoren lukkes og apparatet vil slutte å fungere.

Kontinuerlig avfukting

Hvis du vil stille inn apparatet slik at det er på kontinuerlig, slår du på apparatet og trykker deretter på kontinuerlig drift-knappen. Apparatet vil fungere i høy hastighet, ved 60% RH. Når du aktiverer denne modusen, vil kontinuerligsymbolet bli uthevet i LCD-displayet.

MERK: Hvis du justerer luftfuktighetskontrollknappene under kontinuerlig drift, vil apparatet fortsette i automatisk avfuktingsmodus.

MERK: Hvis den kontinuerlige tømmefunksjonen ikke er i bruk og vannbeholderen ikke er tømt manuelt, slås enheten automatisk av når vannbeholderen er full.

Bruke timeren

Når enheten er slått på og en driftsmodus er valgt, trykker du på timerknappen kontinuerlig for å velge 1–8 timer etter ønske. Timersymbolet vil bli markert på LCD-displayet, og vise hvor mange timer det er igjen til enheten slås av.

Rotasjonsfunksjon

Trykk på knappen for oscillering for å få luftoscillatoren til å svinge automatisk mellom 45 og 90 grader. Trykk igjen for å velge en stasjonær posisjon for luftoscillatoren i ønsket vinkel mellom 45 og 90 grader.

Fuktighetskontroll

Når apparatet starter, vil fukten i omgivelsene bli vist på LCD displayet.

- For automatisk eller stille modus, trykker du på fuktighetskontrollknappene for å velge ønsket fuktighetsnivå. Med kontrollen kan du justere nivået i intervaller på 5 % fra 40 % til 80 %.
- Hvis apparatets fuktighetssensor registrerer luftfuktighetsnivåer i miljøet som er lavere enn det valgte nivået, slås kompressoren av og viften går på lav hastighet. Fuktighetsnivået i miljøet skal være høyere enn fuktighetsnivået som er valgt for at apparatet skal begynne å gå igjen.

Automatisk avriming

Dersom romtemperaturen synker ned til 16 °C eller lavere, vil apparatets temperatursensor få kompressoren til å avrime i 25 minutter og så slå den av automatisk. Viften vil fortsette å gå i 7 minutter for å avrime i en syklus.

MERK: Når avrimingssymbolet vises på LCD-skjermen, vil kompressoren slås av og viften kjøre i høy hastighet.

Beholder full-beskyttelse og automatisk avstenging

Når vannbeholderen er full, avgir enheten en pipende alarm 10 ganger (i ca. 5 sekunder). Vannreservoar fullt-symbolet vil bli vist på skjermen, og apparatet vil slå seg av automatisk. Dette indikerer at det er på tide å tømme vannbeholderen før du bruker apparatet på nytt. Når den tomme beholderen er satt tilbake i apparatet, vil det ta opptil 3 minutter før avfukterens kompressor fungerer igjen. Dette er en beskyttelsesfunksjon. Hvis du ønsker å starte apparatet uten å vente, kobler du fra stikkkontakten og kobler den til igjen.

Vanndryppbeskyttelse

Når beholderen er fjernet for tømming, vil apparatet beholde det kondenserte vannet som fortsetter å dryppe. Når beholderen er plassert tilbake i apparatet, slippes dette vannet inn i beholderen.

Kontinuerlig tømming

Med tanke på brukervennligheten, inkluderer denne avfukteren en slange som kan kobles til slik at den kan brukes med kontinuerlig tømming. For å bruke funksjonen fjerner du tappepluggen som er plassert på baksiden av apparatet, og kobler til PVC-slangen som følger med apparatet. Finn et egnet sted for apparatet, der den åpne enden av slangen kan tappe det utgående vannet i et egnet beholder eller utenfor hjemmet, langt nok unna grunnen til at riktig tapping kan sikres. Apparatet vil nå lede vann fra bypass-porten og gjennom slangen, snarere enn inn i beholderen.

MERK: Sørg for å plassere den åpne enden av slangen flatt på bakken slik at den ikke vikler seg sammen.

FORSIKTIG: Avløpsslangen må være under tappepluggen for at apparatet skal kunne tømmes ordentlig.

MERK: For å hindre lekkasjer bør du bruke et merke som angir stedet der slangen møter huset på baksiden av apparatet. Med jevne mellomrom må du kontrollere at denne indikatoren har ikke beveget seg bort fra huset, for å sikre at slangen ikke lekker. Lekkasjer inne i apparatet vil falle ned i beholderen. Hvis det skjer, kan du tømme

beholderen ved å følge instruksene ovenfor i "Tømme beholderen"-avsnittet.

RENGJØRING OG VEDLIKEHOLD

- Slå av apparatet, og koble det fra stikkkontakten.
- Fjern beholderen forsiktig for å tømme den. Skyll beholderen med varmt vann.
- Bruk en myk, ren klut til å tørke apparatet. Ikke bruk bensin, tynner eller andre rengjøringsmidler for å rengjøre den.
- For å rengjøre filteret fjerner du filteret forsiktig og rengjør det med en støvsuger eller skyller med kaldt vann. Plasser det på et godt ventilert sted, og la det tørke før du setter filteret tilbake i apparatet.

MERK: Ikke utsett apparatet for direkte sollys.

OPPBEVARINGSINSTRUKSER

Hvis du ikke skal bruke luftavfukteren i en lengre periode, kan du følge disse instruksene for å oppbevare den på riktig måte:

- Slå av avfukteren, og koble den fra stikkkontakten.
- Rengjør og tørk avfukteren grundig i henhold til rengjøringsinstruksene ovenfor.
- Kontroller at alle delene er tørre før oppbevaring. Ikke oppbevar apparatet med vann i beholderen.
- Oppbevar apparatet stående på et kjølig, tørt sted.

FEILSØKING

Funksjonssvikt i kompressoren

Skulle kompressoren begynne å svikte under drift, vil den automatisk slå seg av. Vent i 3 minutter, og start deretter apparatet på nytt. Hvis du ønsker å starte apparatet uten å vente i 3 minutter, kobler du fra stikkkontakten og kobler det til igjen.

Beskyttelse for svært lav eller høy temperatur

Hvis enhetens sensor registrerer at romtemperaturen er under 0 °C eller over 40 °C, vil avfukteren automatisk slå seg av. Apparatet vil varsle med 3 lange pip etterfulgt av 2 korte. Hvis du ønsker å starte apparatet på nytt, kobler du fra stikkkontakten og kobler den til igjen.

Beskyttelse for svært lav eller høy temperatur

Hvis enhetens sensor registrerer at romtemperaturen er under 0 °C eller over 40 °C, vil avfukteren automatisk slå seg av. Apparatet vil varsle med 3 lange pip etterfulgt av 2 korte. Hvis du ønsker å starte apparatet på nytt, kobler du fra stikkkontakten og kobler den til igjen.

Apparatsyklus av/på

Dette er normalt når du bruker den automatiske avfuktingsinnstillingen. Hygrostaten inne i apparatet justeres for å opprettholde ønsket komfort. Hvis du vil kjøre kontinuerlig, velger du kontinuerlig modus (se bruksanvisningen).

Varm luft fra utgangsgitteret

Dette er normalt, og forårsakes av varmeutvekslingen mens kompressoren er på.

GARANTI

Vennligst behold kvitteringen, som kreves for eventuelle hevdelser under garantien.

Dette produktet garanteres i 2 år etter salgsdato, i samsvar med betingelser som gjengis i dette dokumentet.

Under garantiperioden, hvis enheten usannsynligvis slutter å fungere grunnet en design- eller fabrikkfeil, skal den leveres tilbake til innkjøpsstedet sammen med kvittering og kopi av garantien.

Rettigheter og fordeler som gis under garantien, kommer i tillegg til lovmessige rettigheter, som ikke berøres av garantien. Kun Holmes Products (Europe) Ltd. ("Holmes") har rett til å endre disse betingelsene.

Holmes påtar seg, innen garantiperioden å gratis reparere eller erstatte enheten, eller enhver defekt del av enheten, forutsatt at:

- Du umiddelbart gir beskjed til innkjøpsstedet eller Holmes om problemet; og
- at enheten ikke er modifisert på noe vis, eller utsatt for skade, feilbruk, misbruk, reparasjon eller modifikasjon av noen som ikke er autorisert av Holmes.

Feil som oppstår fra feilaktig bruk, skade, misbruk, bruk med feil strømspenning, naturfenomener, hendelser utenom Holmes kontroll, reparasjon eller modifikasjon av en person utenom Holmes-autorisert servicepersonell, eller unnlattelse i å følge disse bruksanvisninger, dekkes ikke av denne garantien. I tillegg vil alminnelig bruksslitasje, inkludert, men ikke begrenset til, mindre misfarging og riper, ikke bli garantidekket.

Rettigheter som dekkes av denne garantien skal kun gjelde for originalkunden, og kan ikke videreføres til kommersielt eller felles bruk.

Hvis din enhet omfattes av landsspesifikk garanti eller garantivedlegg, henvises det til vilkårene som gjelder for slike garantier framfor det som framgår nedenfor. Du kan også henvende deg til din lokale autoriserte representant for mer informasjon.

Dette symbolet angir at dette produktet ikke skal kastes sammen med annet husholdningsavfall, men kastes separat i EØS-området. For å hindre skade på miljø eller helse fra ukontrollert avfallshåndtering på grunn av farlige stoffer i produktet, må det resirkuleres ansvarlig for å muliggjøre bærekraftig gjenbruk av materialer og ressurser. Vennligst bruk retur- og innsamlingsystemer tilgjengelig for å returnere brukt produkt, eller kontakt forhandleren du kjøpte produktet av. De kan ta imot produktet for miljøvennlig resirkulering.



Holmes Products (Europe) Limited
1 Francis Grove
London
SW19 4DT
UK

DANSK

LÆS OG GEM DISSE VIGTIGE INSTRUKTIONER

BEMÆRK: Gennemse de relevante illustrationer, før du læser disse instruktioner.

Beskrivelse af apparatet (se Fig. 1)

1. Kontrolpanel
2. Luftsvingningsgenerator
3. Håndtag
4. Luftindsugningslameller
5. Vandbeholder
6. Drænprop
7. Visning af vandniveau
8. Aftapningslange

Kontrolpanel (se Fig. 2)

- A. Tænd/sluk-knap
- B. Auto-knap
- C. Knap for kontinuerlig drift
- D. Timer-knap
- E. Knap for luftsvingningsgenerator
- F. Knapper til fugtighedskontrol

LCD-display (Se Fig. 3)

- a. Hastighed
- b. Vandbeholder fuld
- c. Kontinuerlig affugtning
- d. Timer
- e. Luftsvingning
- f. Automatisk afrimning
- g. Lyddæmpet automatisk affugtning
- h. Rumtemperatur
- i. Automatisk affugtning
- j. Rummets fugtighedsniveau

SIKKERHEDSFORANSTALTNINGER

Når du bruger elektriske apparater, skal almindelige sikkerhedsprocedurer, inklusive dem, der er anført herunder, altid følges for at reducere risikoen for brand, elektrisk stød og personskader:

1. Læs alle instruktioner, før apparatet bruges.
2. For at undgå fare for brand eller elektrisk stød skal apparatet tilsluttes direkte til en elektrisk stikkontakt, og stikket skal sættes helt i.
3. Hold ledningen væk fra områder, hvor mange personer færdes. For at undgå fare for brand må ledningen ALDRIG anbringes under tæpper eller nær radiatorer, brændeovne eller varmeapparater.
4. Anbring IKKE affugtningsapparatet nær varmekilder såsom brændeovne,

radiatorer og varmeapparater. Anbring affugtningsapparatet ved en indvendig væg nær en elektrisk stikkontakt. Affugtningsapparatet bør være mindst 10 cm/4 tommer fra væggen for den bedste ydelse.

5. Tab eller indsæt ALDRIG genstande i nogen åbning.
6. Anvend ALDRIG et apparat, der har en beskadiget ledning eller et beskadiget stik, har udvist fejl eller er blevet tabt eller beskadiget på nogen måde. Returnér apparatet til producenten for eftersyn, elektrisk eller mekanisk justering eller reparation.
7. Dette apparat er kun beregnet til brug i husholdning som beskrevet i denne brugervejledning. Alle andre former for anvendelse, der ikke er anbefalet af producenten, kan medføre brand, elektrisk stød eller personskader. Brug af tilbehør, der ikke anbefales eller sælges af Holmes Products (Europe) Ltd., udgør en risiko.
8. Må IKKE bruges udendørs.
9. Anbring altid affugtningsapparatet på en fast, flad og vandret overflade. Det anbefales at anbringe en vandtæt mat under affugtningsapparatet. Anbring det ALDRIG på en overflade, der kan beskadiges ved udsættelse for vand og fugt (f.eks. et overfladebehandlet gulv).
10. Når affugtningsapparatet ikke er i brug, bør stikket være trukket ud.
11. Mens apparatet er i gang, må det ALDRIG vippes, flyttes eller tømmes. Apparatet skal være slukket og stikket trukket ud, før vandbeholderen udtages, og apparatet flyttes. Forsøg IKKE at udtage vandbeholderen inden 15 minutter efter, at affugtningsapparatet er slukket, og stikket er trukket ud. Dette kan medføre alvorlig personskade.
12. Dette affugtningsapparat skal vedligeholdes regelmæssigt for at fungere korrekt. Der henvises til procedurerne for rengøring og vedligeholdelse.
13. Brug ALDRIG rengøringsmidler, benzin, glasrensemiddel, bonevoks, farvefortynder eller andre opløsningsmidler til husholdning for at rengøre nogen del af affugtningsapparatet.
14. Forsøg IKKE at foretage reparation eller justering af nogen elektrisk eller mekanisk funktion på dette apparat. Apparatets indre indeholder ingen dele, som brugeren må udføre service på. Al service må kun udføres af kvalificeret personale.
15. Hvis strømledningen er beskadiget, skal den udskiftes af producenten, dennes

serviceagent eller en person med tilsvarende kvalifikationer.

16. Dette apparat er ikke beregnet til at blive anvendt af personer (inklusive børn) med reducerede fysiske, sansemæssige eller mentale evner eller utilstrækkelig erfaring og viden, medmindre de har fået hjælp under overvågning eller instruktioner til at benytte apparatet af en person, der er ansvarlig for deres sikkerhed. Børn bør overvåges for at sikre, at de ikke leger med apparatet.
17. **FORSIGTIG:** For at undgå farer som følge af utilsigtet nulstilling af den termiske afbryder må der ikke tilføres strøm til dette apparat via en ekstern kontaktnanordning såsom en timer, og apparatet må ikke tilsluttes til et kredsløb, der jævnligen tændes og slukkes af strømkilden.

GEM DISSE INSTRUKTIONER
Bemærk, at dette er et elektrisk apparat, der kræver opmærksomhed under brug.

SÅDAN FUNGERER AFFUGTNINGSAPPARATET

Bionaire™ affugtningsapparatet suger fugtig luft gennem indsugningsgitteret øverst på apparatet. Den fugtige luft passerer gennem kølespiraler, hvor fugten fjernes og opsamlers i vandbeholderen.

Med henblik på optimal ydelse anbefales det ikke at benytte dette apparat i miljøer, hvor temperaturen er over 37° C eller under 5° C. Dette apparat bør kun anvendes indendørs i områder som f.eks. en dagligstue eller et soveværelse. Brug det aldrig udendørs. Kontrollér, at døre og vinduer er lukkede, før apparatet benyttes.

INSTRUKTIONER OM FORBEREDELSE

1. Vælg en placering for affugtningsapparatet på en flad/vandret overflade ca. 10 cm væk fra væggen.
2. Placér enheden på en stabil og flad gulvoverflade. Hvis gulvoverfladen ikke er jævn, er der risiko for, at enheden står ustabilt eller vælter. Det kan også medføre kraftige vibrationer og støj.
3. Tilslut strømledningen til stikkontakten.

BETJENINGSINSTRUKTIONER

Automatisk affugtning

1. Tilslut enheden til en korrekt stikkontakt. Enheden vil bippe 3 gange. Hvis luftsvingningsgeneratoren er åben, vil den returnere til sin lukkede position.

- Tryk på tænd/sluk-knappen for at starte enheden. Luftsvingningsgeneratoren vil åbne til sin maksimale position, og enheden vil starte den automatiske affugtningsfunktion.
- Auto-knappen giver dig mulighed for at vælge mellem automatisk affugtning og automatisk lyd-dæmpet affugtning.
- Tryk på auto-knappen én gang for at skifte mellem automatisk affugtning og lyd-dæmpet affugtning.
- I automatisk affugtningstilstand vil enheden registrere den relative fugtighed i miljøet og justere sin funktionalitet tilsvarende ved skiftevis at standse og starte for at bevare dit ønskede fugtighedsniveau.
- I lyd-dæmpet tilstand vil enheden fungere som i automatisk affugtningstilstand, men ved lav hastighed. Ikonet for lyd-dæmpet tilstand vises i LCD-displayet.
- Fugtighedsniveauet er som standard indstillet til 60 % relativ fugtighed (RH: relative humidity). Tryk på knapperne for fugtighedskontrol for at indstille fugtighedsniveauet op og ned, som ønsket. Der henvises til instruktionerne om fugtighedskontrol herunder for flere instruktioner om betjening.
- For at slukke enheden skal du trykke på tænd/sluk-knappen igen. Luftsvingningsgeneratoren lukkes, og enheden hører op med at være i drift.

Kontinuerlig affugtning

For at indstille enheden til kontinuerlig drift skal du tænde for den og trykke på knappen for kontinuerlig drift. Enheden vil arbejde i høj hastighed ved 60 % relativ fugtighed. Når du aktiverer denne tilstand, vises ikonet for kontinuerlig drift i LCD-displayet.

BEMÆRK: Hvis du indstiller knapperne for fugtighedskontrol, mens enheden er indstillet til kontinuerlig drift, vil enheden vende tilbage til automatisk affugtningstilstand.

BEMÆRK: Hvis funktionen kontinuerlig aftapning ikke er i brug, og vandbeholderen ikke tømmes manuelt, slukkes enheden automatisk, når vandbeholderen bliver fuld.

Sådan bruges timeren

Når enheden er tændt, og du har valgt en driftstilstand, skal du trykke på timer-knappen gentagne gange og vælge mellem 1 og 8 timer. Ikonet for timeren vises på LCD-displayet, og det angiver det resterende antal timer, indtil enheden slukkes.

Luftsvingningsfunktion

Tryk på knappen for luftsvingningsgeneratoren for at indstille luftsvingningsgeneratoren til at

svinge automatisk mellem 45 og 90 grader. Tryk igen for at vælge en stationær position for luftsvingningsgeneratoren ved den ønskede vinkel mellem 45 og 90 grader.

Fugtighedskontrol

Når enheden starter, vises miljøets fugtighedsniveau på LCD-displayet.

- For automatisk eller lyd-dæmpet tilstand skal du trykke på knapperne for fugtighedskontrol for at vælge det ønskede fugtighedsniveau. Kontrollen giver dig mulighed for at indstille niveauet med 5 % intervaller fra 40 % til 80 %.
- Hvis enhedens fugtighedssensor detekterer fugtighedsniveauer i miljøet, der er mindre end den valgte fugtighedsgrad, slukkes kompressoren, og ventilatoren arbejder ved lav hastighed. Miljøets fugtighedsniveau skal være højere end det valgte fugtighedsniveau, før enheden igen går i gang.

Automatisk afrimning

Hvis stuetemperaturen falder til 16° C eller lavere, vil enhedens temperatursensor indstille kompressoren til at affugte i 25 minutter og derefter slukke automatisk. Ventilatoren bliver ved med at arbejde i 7 minutter for at afrime i den nævnte periode.

BEMÆRK: Når ikonet for afrimning vises på LCD-displayet, slukkes kompressoren, og ventilatoren vil køre ved høj hastighed.

BESKYTTELSE MOD OVERFYLDT VANDBEHOLDER OG AUTO-SLUK

Når vandbeholderen er fuld, vil der lyde en alarm med 10 bip (i ca. 5 sekunder). Ikonet for fuld vandbeholder vises på skærmen, og enheden slukkes automatisk. Dette indikerer, at vandbeholderen skal tømmes, før enheden bruges igen. Når den tomme vandbeholder er sat på plads i enheden, vil det tage op til 3 minutter, før affugtningsapparatets kompressor går i gang igen. Dette er en beskyttelsesforanstaltning. Hvis du ønsker at genstarte enheden uden at vente, skal du tage stikket ud af stikkontakten og sætte stikket i igen.

Beskyttelse mod vanddryp

Når vandbeholderen er fjernet for at blive tømt, vil denne anordning opsamle det kondenserede vand, der fortsætter med at dryppe. Når vandbeholderen er sat på plads i enheden, løber dette vand ind i vandbeholderen.

Kontinuerlig aftapning

For øget brugervenlighed inkluderer dette affugtningsapparat en slange, der kan monteres på det, så det kan fungere med kontinuerlig

aftapning. For at bruge slangen skal du blot fjerne drænproppen, der er placeret på enhedens bagside, og påsætte PVC-slangen, der følger med enheden. Find en egnet placering for enheden, hvor den åbne ende af slangen kan aftappe det udløbende vand i en passende beholder eller uden for dit hjem, tilstrækkeligt langt fra fundamentet til at sikre korrekt dræning. Enheden vil nu føre vandet gennem udledningshullet og gennem slangen, i stedet for ind i vandbeholderen.

BEMÆRK: Sørg for at anbringe den åbne ende af slangen fladt på jorden, og at slangen ikke sammenfiltres.

FORSIGTIG: Aftapningsslangen skal være placeret under drænproppen, for at enheden kan aftappe korrekt.

BEMÆRK: For at forhindre lækage bør du bruge en markør for at angive det sted, hvor slangen møder kabinettet på bagsiden af enheden. Kontrollér regelmæssigt, at denne indikator ikke har flyttet sig væk fra kabinettet for at sikre, at din slange ikke lækker. Lækage inden i enheden vil falde ind i vandbeholderen. Hvis dette sker, kan du tømme vandbeholderen ved at følge instruktionerne ovenfor i afsnittet "Sådan tømmes vandbeholderen".

RENGØRING OG VEDLIGEHOLDELSE

- Sluk for enheden, og tag stikket ud af stikkontakten.
- Fjern forsigtigt vandbeholderen for at tømme den. Skyl vandbeholderen med varmt vand.
- Aftør enheden med en blød, ren klud. Rengør ikke enheden med benzin, farvefortynder eller andre rengøringsmidler.
- For at rengøre maskefiltret, skal du forsigtigt fjerne filtret og rengøre det med en støvsuger eller skylle det med koldt vand. Anbring filtret et godt ventileret sted, og lad det tørre, før det sættes tilbage i enheden.

BEMÆRK: Udsæt ikke enheden for direkte sollys.

INSTRUKTIONER OM OPBEVARING

Hvis du ikke skal bruge dit affugtningsapparat i et længere tidsrum, bør du følge disse instruktioner for at opbevare det korrekt:

- Sluk for affugtningsapparatet, og tag stikket ud af stikkontakten.
- Rengør og tør affugtningsapparatet grundigt ifølge rengøringsinstruktionerne herover.
- Kontrollér, at alle dele er tørre før opbevaring. Opbevar ikke apparatet med noget vand i beholderen.
- Skal opbevares opretstående på et køligt, tørt sted.

FEJLFINDING

Fejl i kompressoren

Hvis der opstår fejl i kompressoren under anvendelse, slukkes enheden automatisk. Vent i 3 minutter, og genstart derefter enheden. Hvis du ønsker at genstarte enheden uden at vente i 3 minutter, skal du tage stikket ud af stikkontakten og sætte det i igen.

Beskyttelse mod meget lave eller høje temperaturer

Hvis enhedens sensor detekterer, at stuetemperaturen er under 0° C eller over 40° C, slukkes affugtningsapparatet automatisk. Enheden vil signalere dette med 3 lange bip efterfulgt af 2 korte bip. For at genstarte enheden er det nødvendigt at tage stikket ud af stikkontakten og sætte det i igen.

Fejl i fugtigheds- og temperatursensor

Hvis der opstår fejl i sensoren, vil enheden ophøre med at være i drift, og bogstaverne "EO" vises på skærmen. Du kan genstarte enheden efter fejlfinding.

Apparatet tænder og slukker skiftevis

Dette er normalt, når apparatet er indstillet til automatisk affugtning. Hygrostaten i apparatet udfører justeringer for at bevare dit ønskede fugtighedsniveau. For kontinuerlig drift skal du sætte apparatet i kontinuerlig tilstand (se betjeningsinstruktionerne).

Varm luft fra udløbsgitteret

Dette er normalt og forårsaget af varmeudveksling, mens kompressoren er tændt.

GARANTI

Gem kvitteringen. Den skal forevises ved enhver klage under denne garanti.

Der er 2 års garanti på dette apparat efter dit køb som beskrevet i dette dokument.

Hvis det usandsynlige skulle ske i denne garantiperiode, at apparatet ikke længere fungerer på grund af en design- eller fabriktionsfejl, bedes du returnere det til købsstedet sammen med kvitteringen og en kopi af denne garanti.

Rettighederne og fordelene ved denne garanti ligger ud over dine lovbestemte rettigheder, som ikke er påvirket af denne garanti. Det er kun Holmes Products (Europe) Ltd. ("Holmes"), der må ændre disse betingelser.

Holmes påtager sig inden for garantiperioden gratis at reparere eller udskifte apparatet og enhver del af apparatet, der er konstateret ikke at fungere korrekt, forudsat at:

- Du omgående underretter købsstedet eller Holmes om problemet; og

- Apparater ikke er ikke blevet ændret på nogen måde eller udsat for beskadigelse, forkert brug, misbrug, reparation eller ændring af en person, der ikke er autoriseret af Holmes.

Fejl, der sker på grund af forkert brug, beskadigelse, misbrug, brug med forkert spænding, force majeure, hændelser, som Holmes ikke har indflydelse på, reparation eller ændring af en person, der ikke er autoriseret af Holmes, eller manglende overholdelse af brugsanvisningen, er ikke dækket af denne garanti. Desuden er normal slitage, herunder, men ikke begrænset til, mindre misfarvning og skrammer, ikke dækket af denne garanti.

Rettighederne under denne garanti skal kun gælde for den oprindelige køber og skal ikke udvides til kommerciel eller kollektiv brug.

Hvis der med dit apparat fulgte en landespecifik erklæring eller garanti, gælder de vilkår og betingelser, der er angivet i det pågældende dokument forud for bestemmelserne i nærværende garanti. I modsat fald bedes du kontakte din lokale autoriserede forhandler for at få flere oplysninger.

Denne markering viser, at produktet ikke må kasseres sammen med husholdningsaffald. Det skal kasseres separat overalt i den europæiske union. For at afværge mulige miljøskader eller humane sundhedsskader på grund af tilstedeværelsen af farlige stoffer i materialet, skal der fremmes holdbar recirkulering af materialer og ressourcer. For at returnere den brugte anordning, bedes du anvende de affaldsdepoter, som er tilgængelige, eller kontakte den detailhandler, hvor du købte produktet. De kan tage produktet til et miljømæssigt sikkert recirkuleringssted.



Holmes Products (Europe) Limited
1 Francis Grove
London
SW19 4DT
UK

SUOMI

LUE NÄMÄ TÄRKEÄT OHJEET JA SÄILYÄ NIITÄ TURVALLISESSA PAIKASSA

HUOMAUTUS: Tutustu kuviin ennen ohjeiden lukemista.

Laitteen kuvaus (katso kuva 1)

1. Hallintapaneeli
2. Oskillaattori
3. Kahva
4. Ilmanottoaukko
5. Vesisäiliö
6. Valutustulppa
7. Vesitason ruutu
8. Valutusletku

Hallintapaneeli (katso kuva 2)

- A. Virtapainike
- B. Auto-painike
- C. Jatkuvan toiminnan painike
- D. Ajastinpainike
- E. Oskillointipainike
- F. Kosteuden hallintapainikkeet

LCD-näyttö (Katso kuva 3)

- a. Nopeus
- b. Vesisäiliö täynnä
- c. Jatkuva ilmankuivaus
- d. Ajastin
- e. Oskillointi
- f. Automaattinen sulatus
- g. Hiljainen automaattinen kuivaus
- h. Ympäristön lämpötila
- i. Automaattinen ilmankuivaus
- j. Ympäristön ilmankosteustaso

TURVALLISUUTEEN LIITTYVIÄ HUOMAUTUKSIA

Sähkölaitteita käytettäessä tulisi aina noudattaa perusturvallisuusohjeita tulipalon, sähköiskujen ja vammojen välttämiseksi. Tällaisia ohjeita ovat muun muassa seuraavat:

1. Lue kaikki ohjeet ennen laitteen käyttämistä.
2. Palo- tai sähköiskuvaaran välttämiseksi kytke laite suoraan seinäpistorasiaan ja huolehdi siitä, että pistoke on kokonaan pistorasiassa sisällä.
3. Huolehdi siitä, että johto ei ole paikassa, jossa sen päälle astutaan. Palovaaran välttämiseksi älä KOSKAAN aseta johtoa mattojen alle tai patterien, helojen tai lämmittimien alle.
4. ÄLÄ ASETA ilmankuivainta lämmönlähteiden, kuten helojen, patterien ja lämmittimien

viereen. Aseta ilmankuivain sisäseinälle sähköpistorasian lähelle. Ilmankuivaimen tulisi olla vähintään 10 cm:n / 4 tuuman etäisyydellä seinästä, jotta kuivaustulos olisi mahdollisimman hyvä.

5. ÄLÄ KOSKAAN pudota laitetta tai aseta mitään sen aukkoihin.
6. ÄLÄ KÄYTÄ laitetta, jos sen johto tai pistoke on vaurioitunut, sen jälkeen kun laitteessa on ollut toimintavika tai jos se on pudotettu tai sitä on vahingoitettu jollakin tapaa. Palauta laite tässä tapauksessa valmistajalle tutkimuksia, sähköosien tai mekaanisten osien säätämistä tai korjausta varten.
7. Käytä laitetta vain tarkoitettuun kotitalouskäyttöön oppaassa kuvatulla tavalla. Kaikenlainen muu käyttö kuin valmistajan suosittelema käyttö voi aiheuttaa tulipalon, sähköiskun tai vamman. Sellaisten lisävarusteiden, joita Holmes Products (Europe) Ltd. ei suosittele tai myy, käyttäminen voi aiheuttaa vaaratilanteen.
8. ÄLÄ KÄYTÄ ulkotiloissa.
9. Aseta ilmankuivain aina kiinteälle ja tasaiselle pinnalle. Ilmankuivaimen alle kannattaa asettaa vedenpitävä matto tai muu suojuus. ÄLÄ KOSKAAN aseta ilmankuivainta pinnalle, joka saattaa vaurioitua vedestä tai kosteudesta (esim. käsittelylle lattialle).
10. Ilmankuivain tulisi irrottaa verkkovirrasta, kun se ei ole käytössä.
11. ÄLÄ KOSKAAN kallista, siirtä tai yritä tyhjentää laitetta, kun sitä käytetään. Sammuta laite ja irrota se verkkovirrasta, ennen kuin irrotat vesisäiliön ja siirät laitetta. ÄLÄ YRITÄ irrottaa vesisäiliötä 15 minuutin sisällä siitä, kun ilmankuivain on sammutettu ja irrotettu verkkovirrasta. Tämän ohjeen noudattamatta jättäminen voi aiheuttaa vakavan vamman.
12. Ilmankuivain edellyttää säännöllistä huoltoa, jotta se toimii oikein. Katso lisätietoja puhdistus- ja huolto-ohjeista.
13. ÄLÄ KOSKAAN käytä pesuaineita, bensiiniä, lasinpesuainetta, huonekalujen kiillotusainetta, tinneriä tai mitään muuta kotitalousliuottimia ilmankuivaimen minkään osan puhdistamiseen.
14. ÄLÄ YRITÄ korjata tai säätää mitään tämän laitteen sähkö- tai mekaniikkatoimintoa. Laitteen sisällä ei ole käyttäjän huollettavissa olevia osia. Vain koulutettu henkilökunta saa tehdä huoltotoimia.
15. Jos laitteen johto on vaurioitunut, valmistajan tai valmistajan edustajan tai muun vastaavan valtuutetun edustajan tulee vaihtaa se.

16. Tätä laitetta ei ole tarkoitettu kenenkään sellaisen henkilön (mukaan lukien lapset) käyttöön, jonka fyysiset taidot, aistit tai henkiset kyvyt ovat heikentyneet tai jolla ei ole laitteen käyttöön tarvittavaa kokemusta ja tietoa, ellei tällaisille henkilöille ole annettu opastusta tai ohjeita laitteen käyttöön heidän turvallisuudestaan vastaavan henkilön toimesta. Lapsia tulisi valvoa sen varmistamiseksi, etteivät he leiki laitteen kanssa.

17. **VAROITUS:** Lämmittimen katkaisutoiminnon tahattoman nollaamisen välttämiseksi tätä laitetta ei tulisi käyttää sähkövirtaa jakavan laitteen, kuten ajastimen, kanssa tai sellaisessa sähköverkossa, jossa virta säännöllisesti katkaistaan ja kytketään uudelleen.

SÄILYÄ NÄMÄ OHJEET

Huomaa, että tämä on sähkölaite, jota on valvottava sen käytön aikana.

ILMANKUIVAIMEN TOIMINTAPERIAATE

Tämä Bionaire™-ilmankuivain imee kosteata ilmaa sisäänsä laitteen päällä olevan säleikön lävitse. Kosteaa ilmaa kulkeutuu jäähdytettyjen käämien lävitse, jolloin siitä poistetaan kosteus, mikä kerääntyy laitteen vesisäiliöön. Parasta mahdollista käyttötehoa varten on suositeltavaa, että tätä laitetta ei käytetä ympäristöissä, joissa lämpötila on yli 37° C tai alle 5° C.

Laitetta tulisi käyttää vain sisätiloissa, kuten olohuoneessa tai makuuhuoneessa. Älä koskaan käytä laitetta ulkona. Varmista, että ovet ja ikkunat ovat kiinni ennen laitteen käyttämistä.

OHJEET ENNEN KÄYTTÖÖNOTTOA

1. Valitse ilmankuivaajalle tasainen paikka, joka on noin 10 cm etäisyydellä seinästä.
2. Aseta laite vakaalle ja tasaiselle lattiapinnalle. Jos lattian pinta ei ole tasainen, laite saattaa olla epävakaata tai kaatua. Tämä saattaa myös aiheuttaa ääriää ja meteliä.
3. Kytke virtajohto pistorasiaan

KÄYTTÖOHJEET

Automaattinen ilmankuivaus

1. Kytke laite oikeantyyppiseen pistorasiaan. Laitteesta kuuluu 3 äänimerkkiä. Jos oskillaattorin asento on auki, se palautuu suljettuun asentoon.
2. Käynnistä laite painamalla virtapainiketta. Oskillaattori palautuu maksimiasentoonsa ja laite aloittaa automaattisen ilmankuivauksen.
3. Automaattipainikkeen avulla voit valita automaattisen ilmankuivauksen ja

automaattisen äänettömän ilmankuivauksen väliltä.

4. Paina automaattipainiketta kerran, jos haluat siirtyä automaattisen ilmankuivauksen ja automaattisen äänettömän ilmankuivauksen välillä.
5. Automaattisessa ilmankuivaustilassa laite seuraa ympäristön suhteellista ilmankosteutta ja säätää toimintojaan sen mukaan. Tällöin laite käynnistyy ja sammuu halutun ilmankosteusasetuksen ylläpitämiseksi.
6. Hiljaisessa tilassa laite toimii muuten samalla tapaa kuin automaattisessa ilmankuivaustilassa, mutta erittäin pienellä nopeudella. Hiljaisen tilan kuvake näkyy tällöin LCD-näytössä.
7. Oletuskosteustaso on määritetty 60 % suhteelliseksi ilmankosteudeksi (RH). Voit säätää kosteustason haluamaksesi painamalla kosteuden hallintapainikkeita ylös- tai alaspäin. Katso jäljempää lisätietoa kosteuden hallintaominaisuuksien käyttämisestä.
8. Voit sammuttaa laitteen painamalla virtapainiketta. Oskillaattori sulkeutuu ja laite pysähtyy.

Jatkuva ilmankuivaus

Voit määrittää laitteen toimimaan jatkuvasti käynnistämällä laitteen ja painamalla sitten jatkuvan toiminnan painiketta. Laite toimii suurella nopeudella asetuksella 60 % RH. Kun käynnistät tämän tilan, jatkuvan tilan kuvake näkyy LCD-näytössä.

HUOMAUTUS: Jos käytät ilmankosteuden hallintapainikkeita jatkuvan käytön aikana, laite siirtyy automaattiseen ilmankuivaustilaan.

HUOMAUTUS: Jos jatkuva valustoiminto ei ole käytössä ja vesisäiliö tyhjenetään manuaalisesti, laite sammuu automaattisesti, kun vesisäiliö täyttyy.

Ajastimen käyttäminen

Kun laitteeseen kytketään virta ja toiminta tila on valittu, paina ajastinpainiketta jatkuvasti ja valitse asetukseksi 1 - 8 tuntia tarpeen mukaan. Ajastinkuvake korostuu LCD-näytössä ja näyttää jäljellä olevien tuntien määrän siihen saakka, kunnes laite sammuu.

Oskillointitoiminto

Paina oskillointipainiketta, jos haluat määrittää oskillaattorin oskilloimaan automaattisesti 45 ja 90 asteen välillä. Paina uudelleen, jos haluat valita kiinteän paikan oskillointitoiminnolle 45 ja 90 asteen väliltä.

Kosteuden hallinta

Kun yksikkö käynnistyy, ympäristön kosteustaso näkyy LCD-näytössä.

1. Automaattisessa tai hiljaisessa tilassa voit valita haluamasi kosteustason painamalla kosteuden hallintapainikkeita. Voit säätää kosteustasoa 5 % väleissä välillä 40 % - 80 %.
2. Jos yksikön kosteustason tunnistin havaitsee ympäristön kosteustasoja, jotka ovat alhaisempia kuin valittu kosteustaso, kompressori sammutetaan ja tuuletin toimii alhaisella nopeudella. Ympäristön kosteustason on oltava suurempi kuin valittu kosteustaso, jotta yksikkö alkaa toimia taas.

Automaattinen sulatus

Jos huoneenlämpö laskee 16° C:een tai sen alle, laitteen lämpötila-anturi määrittää kompressorin poistamaan kosteutta 25 minuutiksi ja sammuu sitten automaattisesti. Tuuletin pyörii 7 minuuttia sulatintoiminnossa.

HUOMAUTUS: Kun sulatuskuvake näkyy LCD-näytössä, kompressori sammuu ja pyöritin toimii suurella nopeudella.

Täyden vesisäiliön suojaus ja automaattinen sammutustoiminto

Kun vesisäiliö on täynnä, laitteesta kuuluu äänimerkki 10 kertaa (noin 5 sekunnin ajan). Vesisäiliö täynnä -kuvake näkyy näytössä, ja laite sammuu automaattisesti. Tämä ilmaisee, että vesisäiliö on tyhjennettävä, ennen kuin laitetta voi käyttää uudelleen. Kun tyhjennetty vesisäiliö asetetaan takaisin laitteeseen, ilmankuivaajan kompressori alkaa toimia uudelleen noin 3 minuutin kuluessa. Tämä viive on turvallisuutta parantava ominaisuus. Jos haluat käynnistää laitteen uudelleen ilman odotusaikaa, irrota se verkkovirrasta ja liite se sitten takaisin verkkovirtaan.

Tippasuojaus

Kun vesisäiliö irrotetaan tyhjennystä varten, tippalukko kytkeytyy tämän jälkeen tippuvan kondensoituneen veden pitämiseksi paikallaan. Kun vesisäiliö asetetaan takaisin yksikköön, vesi vapautuu takaisin säiliöön.

Jatkuva valutus

Käyttömukavuuden parantamiseksi tähän ilmankuivaimeen sisältyy letku, joka voidaan liittää siihen jatkuvan valutuksen aloittamiseksi. Voit käyttää sitä irrottamalla valutustulpan laitteen takana ja kytkemällä PVC-letkun, joka toimitetaan laitteen mukana. Etsi laitteelle sopiva sijainti, jossa letkun avoin pää voi valuttaa veden sopivaan tyhjennysastiaan tai maahan riittävän kaukana rakennuksista, jotta vesi imeytyy kunnolla. Kun letku on liitetty, laite ohjaa veden ohitusaukosta siihen vesisäiliön sijaan.

HUOMAUTUS: Varmista, että letkun avoin pää on tasaisesti maassa eikä mene solmuun.

VAROITUS: Valutusletkun on oltava valutustulpan alapuolella, jotta vesi valuu oikein ulos.

HUOMAUTUS: Merkitse vuotojen välttämiseksi laitteeseen sen takana. Tarkista säännöllisesti tämä merkki sen varmistamiseksi, ettei letku ole liikkunut ja vuoda. Laitteen sisällä valunut vesi valuu takaisin vesisäiliöön. Jos näin tapahtuu, voit tyhjentää vesisäiliön noudattamalla yllä olevassa Vesisäiliön tyhjentäminen -kohdassa olevia ohjeita.

PUHDISTAMINEN JA YLLÄPITO

1. Sammuta laite ja irrota se verkkovirrasta.
2. Irrota vesisäiliö huolellisesti sen tyhjentämiseksi. Huuhtelee vesisäiliö lämpimällä vedellä.
3. Käytä pehmeätä liinaa yksikön pyyhkimiseen. Älä käytä bensiiniä, tinneriä tai muita puhdistusaineita yksikön puhdistamiseen.
4. Jos haluat puhdistaa verkkosuodattimen, irrota suodatin varovaisesti ja puhdista se puhaltamalla tai viileällä vedellä. Aseta suodatin hyvin tuuletettuun paikkaan kuivumaan, ja asenna se takaisin vasta täysin kuivana.

HUOMAUTUS: Älä pidä laitetta suorassa auringonvalossa.

VARASTOINTIOHJEET

Jos et käytä ilmankuivainta pitkään aikaan, noudata seuraavia ohjeita sen varastoimiseksi oikein käyttämättömyysaikana:

1. Sammuta ilmankuivain ja irrota se verkkovirrasta.
2. Puhdista ja kuivaa ilmankuivain huolellisesti yllä olevien ohjeiden mukaisesti.
3. Varmista, että kaikki osat ovat kuivia ennen niiden varastoimista. Älä varastoi laitetta, jos sen vesisäiliössä on vielä vettä.
4. Säilytä laitetta pystyasennossa viileässä ja kuivassa paikassa.

VIANMÄÄRITYS

Kompressorin vikatilanne

Jos kompressorissa tapahtuu vikatilanne käytön aikana, se sammuu automaattisesti. Odota 3 minuuttia ja käynnistä laite sitten uudelleen. Jos haluat käynnistää laitteen uudelleen ilman 3 minuutin odotusaikaa, irrota se verkkovirrasta ja liite se sitten takaisin verkkovirtaan.

Suojaus erittäin alhaisilta tai suurilta lämpötiloilta

Jos laitteen anturi havaitsee, että huoneen lämpötila on alle 0° C tai yli 40° C, ilmankuivain

sammuu automaattisesti. Laite ilmoittaa asiasta kolmella pitkällä äänimerkillä ja 2 lyhyellä äänimerkillä. Jos haluat käynnistää laitteen uudelleen, se on irrotettava verkkovirrasta ja kytkettävä sitten takaisin verkkovirtaan.

Kosteus- ja lämpötila-anturin ominaisuudet

Jos anturissa ilmenee ongelma, laite ei toimi ja kirjaimet "EO" näytetään näytössä. Voit käynnistää laitteen uudelleen viannmäärityksen jälkeen.

Laite kytkeytyy päälle ja sammuu vuorotellen

Tämä on normaalia käytettäessä automaattista ilmankuivausasetusta. Laitteen kosteussäädin säätää toimintaa halutun kosteusasetuksen luomiseksi. Jos haluat laitteen toimivan jatkuvasti, valitse jatkuva tila (lisätietoja on käyttöohjeissa).

Tulosäleiköstä tuleva ilma on lämmintä

Tämä on normaalia ja aiheutuu kompressorin lämmönkäsitelystä.

TAKUU

Säilytä kuitti, koska tarvitset sitä mahdollisia takuuvauhteita varten.

Tuotteella on 2 vuoden takuu. Takuuajan lasketaan alkavan ostohetkellä.

Jos laite ei tämän takuuajan jälkeen enää toimi suunnittelu- tai valmistusvirheen johdosta, palauta se ostopaikkaan kuitenkin ja takuutodistuksen kopion kanssa.

Tämän takuun myöntämät oikeudet ja edut myönnetään lakisäätteisten oikeuksiesi lisäksi, eikä takuu vaikuta kyseisiin lakisäätteisiin oikeuksiin. Vain Holmes Products (Europe) Ltd. ("Holmes") -yrittäjällä on oikeus muuttaa näitä takuuehtoja.

Holmes sitoutuu määritettynä takuuajanjaksona korjaamaan tai vaihtamaan uuteen laitteeseen veloituksetta minkä tahansa viallisen laitteen osan seuraavien ehtojen täytyessä:

- Ostopaikalle tai Holmesille ilmoitetaan ongelmasta heti; ja
- Laitetta ei ole muutettu mitenkään tai kohdeltu kaltoin tai vahingoitettu eikä sen korjaukseen tai muutostöihin ole osallistunut muita kuin Holmesin valtuuttamia henkilöitä.

Takuu ei kata virheellisestä käytöstä, vahingoittumisesta, laitteen kohtelemisesta väärin, laitteen väärällä jännitteellä käyttämisestä, luonnonmullistuksista, muista asioista, joihin Holmesilla ei ole vaikutusvaltaa, muun kuin Holmesin valtuuttaman henkilön

tekemistä korjaus- tai muutostöistä tai ohjeiden noudattamatta jättämisestä aiheutuvia ongelmia. Lisäksi takuu ei kata tavallista kulumista, muun muassa pieniä värin muutoksia tai naarmuja.

Tässä takuussa myönnetty oikeudet koskevat vain alkuperäistä ostajaa eivätkä ne ulotu kaupalliseen tai yhteisölliseen käyttöön.

Jos laitteella on maakohtainen takuu, käytä kyseisen takuun ehtoja tämän takuun sijasta tai pyydä lisätietoja paikalliselta valtuutetulta jälleenmyyjältä.

Tämä merkki osoittaa, että tuotetta ei saa hävittää kotitalousjätteen mukana, vaan se on kierrätettävä asianmukaisesti koko EU:n alueella. Tuote saattaa sisältää ympäristölle ja terveydelle vaarallisia

aineita, mistä syystä se on kierrätettävä asianmukaisesti, ja materiaalia on käytettävä uudelleen mahdollisuuksien mukaan luonnonvarojen säästämiseksi. Kun on tullut aika hävittää laite, käytä asianmukaista kierrätysjärjestelmää tai palauta laite ostopisteeseen. Myyjä toimittaa laitteen asianmukaisesti kierrätysjärjestelmään.



Holmes Products (Europe) Limited
1 Francis Grove
London
SW19 4DT
UK